



CELALUX® 3

DIRECTIONS FOR USE
GEBRAUCHSANWEISUNG
MODE D'EMPLOI
INSTRUCCIONES DE USO

CONTENT

DIRECTIONS FOR USE.....	3
GEBRAUCHSANWEISUNG	11
MODE D'EMPLOI.....	19
INSTRUCCIONES DE USO.....	27

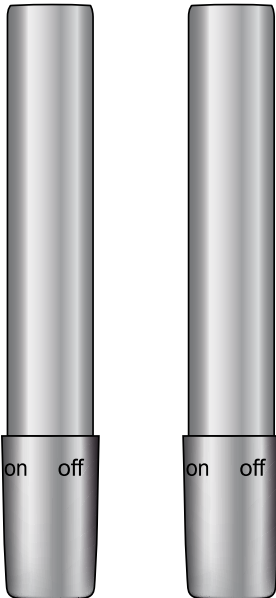
1 Handpiece



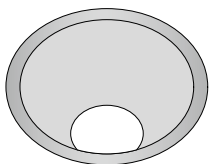
2 Light guide



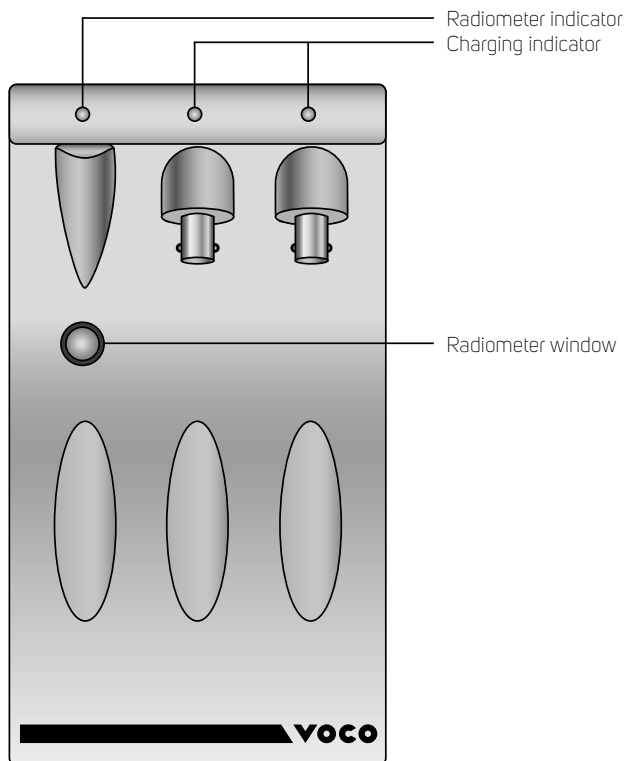
3 Battery pack



4 Rubber shield



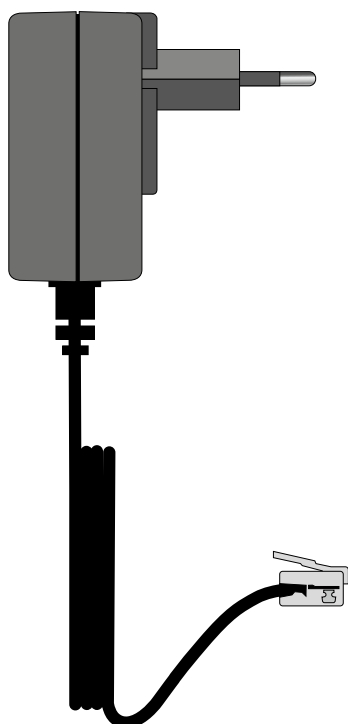
5 Recharging station



Radiometer:

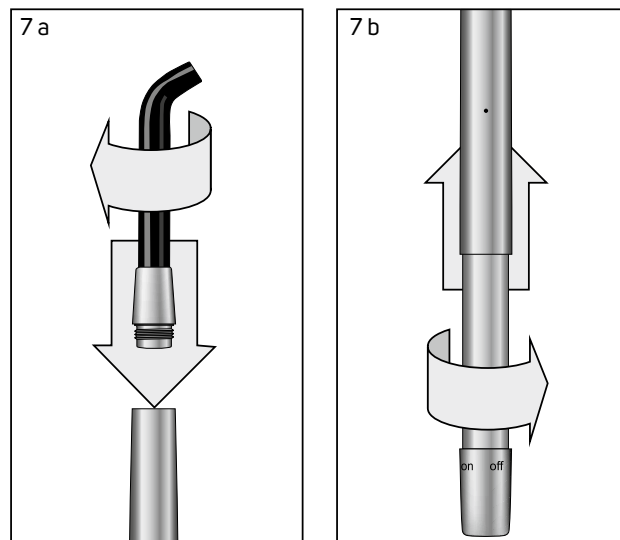
- Green = OK
- Red = low output

6 Power cable



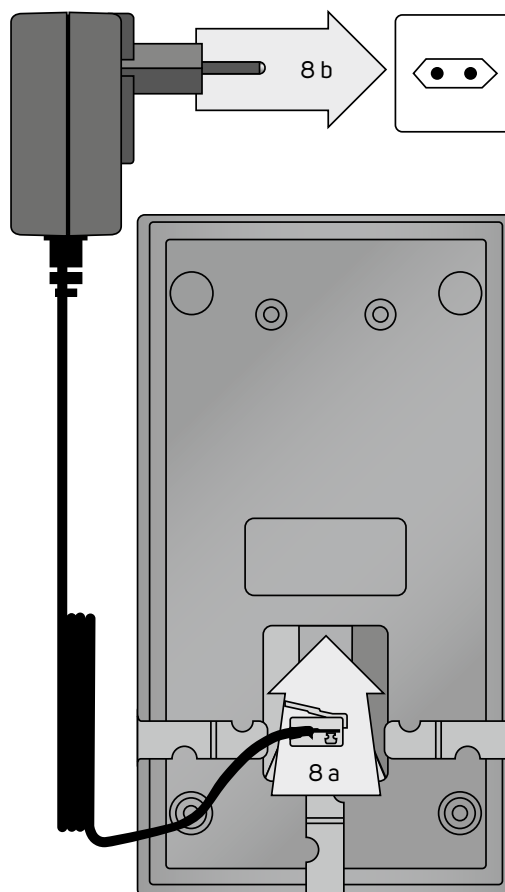
7 Handpiece:

- a Light guide screw-on
- b Battery insertion; "Rotate while inserting"



8 Recharging Station:

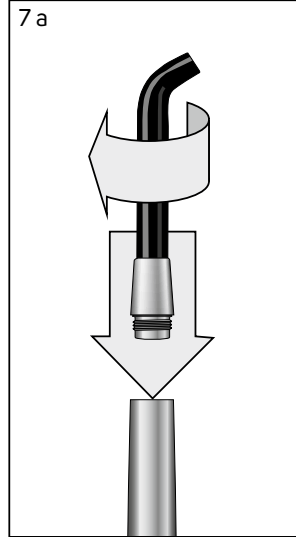
- a Power cable insertion to RC Station
- b Power cable to wall socket



Celalux 3 Curing Light • Operation at a Glance

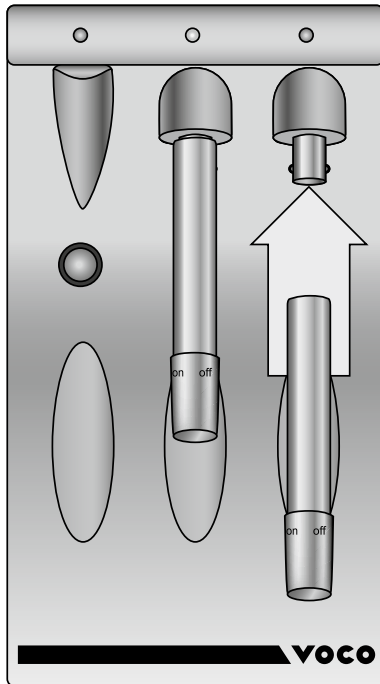
9 Handpiece:

- Adjusting light angle
- Position light guide tip close to material for optimal results
- Check light guide attachment,
- Check & clean both ends of light guide for debris or other obstructions,
- Check Handpiece window



10 Recharging Station:

- Battery on charging mount (2-steps)
- Do not replace on recharging station before cleaning & disinfection
- Use radiometer regularly to assure correct light output
- Check battery charge indicators



Recharging:

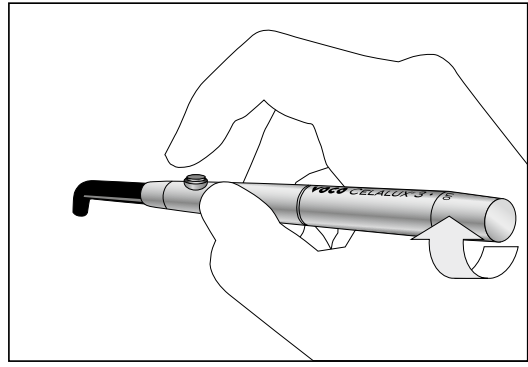
- Constant light = charging
- Light off = fully charged battery; ready to use

Radiometer:

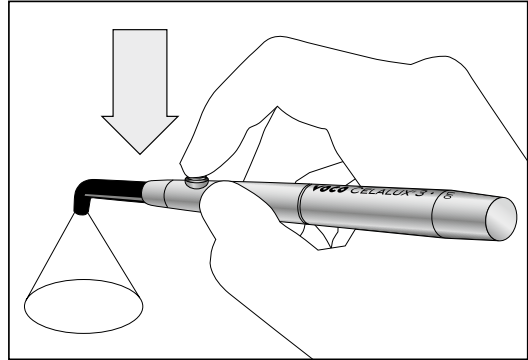
- Green = OK
- Red = low output

Celalux 3 Curing Light • Operation at a Glance

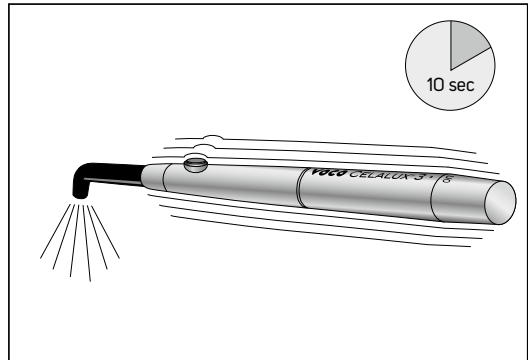
11 Activation of Celalux 3: switch on handpiece



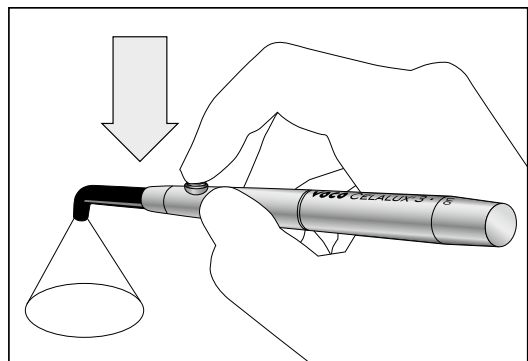
12 Light is activated for 20 seconds: depress switch on handpiece



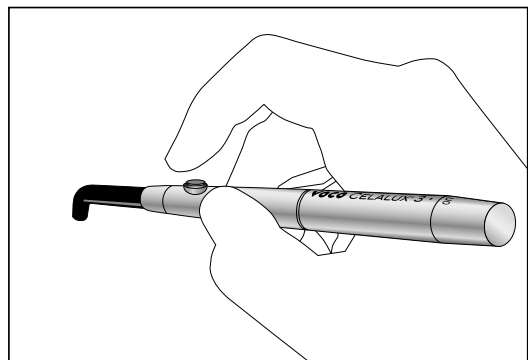
13 Handpiece will vibrate and flash after 10 seconds



14 Light off at once: depress switch on handpiece



15 Light is off



CELALUX® 3

Curing Light

Caution: For dental use only.
USA: Rx only
Made in Switzerland

Content	Page
1. Product Description & Intended Use	6
1.1. Indications for use.....	6
1.2. Contraindications.....	6
2. Safety Notices	6
2.1. General warnings.....	6
2.2. Handpiece.....	6
2.3. Charging Station.....	6
2.4. Precautions.....	6
3. Operation Instructions	7
3.1. Owner's Obligations.....	7
3.2. Set-up.....	7
3.3. Charging.....	7
3.4. Operation.....	7
4. Dental Material Recommendations	7
5. Hygiene	7
5.1. Before Patient Treatment.....	7
5.2. During Patient Treatment.....	7
5.3. After Patient Treatment.....	7
6. General Care & Maintenance	8
6.1. Battery Care.....	8
6.2. Repair Service.....	8
7. Trouble-Shooting	8
8. Compliance	8
8.1. Declaration of Conformity.....	8
8.2. EMC Tables.....	8
8.3. Regulatory Certifications.....	8
9. Technical Data	8
10. Warranty	8
11. Re-Order Information	8
12. Storage & Transport Information	8
13. Explanation of Symbols	9
14. Contact Information	9
Annex 1	9

1. Product Description

The **Celalux 3** curing light is a cordless, pen-shaped, high energy LED device intended for the polymerization of light curing dental materials which are activated by wavelengths in the 450 nm to 480 nm light range. It is exclusively designed for use by trained dental professionals in the dental operatory or dental laboratory. The **Celalux 3** is characterized by:

- High output of blue light
- Light weight, small compact size, and ergonomic design
- Cordless operation with easy to exchange battery packs
- Exceptionally fast recharging of battery packs
- Detachable fiber-optic light guide(s) designed for optimal intra-oral access
- Effective curing field for polymerization of light curing materials
- Convenient and easy to use recharging station with extra battery packs and built-in radiometer

The **Celalux 3** has been shipped from the manufacturer in a safe and technically sound condition. The following directions for use must be adhered to in order: to maintain product performance; to ensure risk-free operation; and to prevent injury to patients and dental professionals.

1.1. Indications for Use

The **Celalux 3** curing light is indicated for polymerization of dental materials which cure with blue light (450 nm to 480 nm).

1.2. Contraindications


The **Celalux 3** curing light is not for use with patients who:

- are prone to photobiological reactions, including patients with solar urticaria or erythropoietic protoporphyria; or
- are currently undergoing treatment with photosensitizing pharmaceuticals.

Anyone (users, patients, etc.) with questions, or concerns or a history of health issues concerning their eyes (ex. Retinal disease, retinopathy, cataracts etc.), should consult their eye specialist before operating or prior to receiving treatment with the **Celalux 3** curing light.

2. Safety Notices

The **Celalux 3** is only intended for use as described in this manual. Any and all other uses constitute improper use and are the sole responsibility of the user and owner.



Safety alert symbol

In this manual, this symbol alerts you to information regarding possible safety and/or personal injury hazards. Obey all safety messages that follow this symbol.

2.1. General Warnings

- Never modify the **Celalux 3** curing light or any **Celalux 3** accessories. Modification may compromise safety and effectiveness.
- Maintain adequate infection control measures when using the **Celalux 3** in the oral cavity, and execute the appropriate hygiene plan after usage with patients.
- Do not use damaged equipment. Routinely check the light guide for scratches and surface damage.
- Only authorized technicians can repair the **Celalux 3** curing light, battery packs and recharging station.
- Avoid placing the **Celalux 3** or the recharging station on top, under, or close to other equipment. A safe distance from other electrical appliance should be maintained.
- Use of accessories not mentioned in this manual may result in an unsafe conditions and/or reduced product performance. For this reason, use only factory authorized accessories.
- Do not charge or use the device near flammable or combustible substances.

2.2. Handpiece

- Make sure that the exit-port of the light guide is not covered by debris or items that may block the light emission.
- Do not use the **Celalux 3** light guide as a tissue retractor or as an instrument to manipulate the tongue and/or cheeks.
- Make certain the **Celalux 3** eye-protector is installed securely and inspect it routinely. Replace as needed.
- Always clean & disinfect the **Celalux 3** handpiece before placing it on/in the recharging station.
- To change the direction of the light, rotate the handpiece as a whole, similar to rolling a pen in your fingers or rotate the light guide independent of the handpiece.
- If not in use, always switch the battery pack into the "Off position" to avoid unintentional activation.

2.3. Recharging Station

- Make certain there is a match: incoming power supply and the product electrical requirement. Do not use the recharging station with voltages different than stated in this manual or labeled on the equipment.
- Voltage is present in the recharging station and battery packs: do not open! Operate only in dry conditions. Never use when wet.
- Installation and operate only on flat surfaces.
- Unplug the power connector from main electrical supply (ex. wall socket) before disconnecting the power cable connector from the recharging station.
- Only touch the recharging station with clean/disinfection gloves to avoid contamination by body fluids.
- Do not use the power connector for other devices than **Celalux 3**.

2.4. Precautions

- People who have undergone treatment for cataracts, have a history of photobiological reactions, or who are under the influence of photosensitizing medication (ex. 8-methoxypsoralen or dimethylchloro – tetracycline), may be sensitive to light. Such patients should not be treated with the **Celalux 3**.
- Patients as well as dental professionals should always use appropriate safety precautions. Use the **Celalux 3** curing light with great care and carefully comply with all safety precautions, including wearing suitable light filtering safety glasses or goggles.
- Only use the **Celalux 3** after it has completed an adequate hygiene procedure.
- Do not use mobile phones or other hand-held electronic devices at the same time as the **Celalux 3**.
- Avoid directing the light at unprotected soft-tissue. This may cause irritation and/or injury.
- Do not stare at the light source and avoid allowing the light to shine directly at eyes. This, and reflected light from shiny surfaces such as the tooth surfaces, may injure the eyes. Always install the eye-protector on the **Celalux 3** in addition to using protective, light filtering safety glasses.
- Confine usage of the light to the area being treated.
- Prolonged usage of any curing light can increase temperature. Extended usage near pulp and soft tissues should be avoided to prevent injury. Curing near or around sensitive tissues should be performed with adequate breaks.

3. Operation Instructions

3.1. Owner's Obligations


In addition to complying with the statutory regulations, the owner must ensure that statutory requirements are observed and implemented in the workplace. In particular, the owner must train personnel and comply with industrial safety legislations and all related regulations or laws.

The owner is fully responsible to assure that the **Celalux 3** unit is in a safe working condition at all times. If in doubt, do not use the unit and contact VOCO.

VOCO recommends that you keep this manual and related document(s) together.

3.2. Set-up


- Carefully unpack all **Celalux 3** components and familiarize yourself the individual items. Check for completeness.
 - A. First, check that the voltage indicated on the **Celalux 3** name plate complies with the local power supply (Fig. 8).
 - B. On the underside of the recharging station, plug the phone-jack-type power cable connector into the socket (Fig. 8).
 - C. Adjacent to the recharging station socket, thread the power cable underneath the three clips in one of the three cable exit-channels (Fig. 8). The power cable should fit snugly under the clips and relieve tension on the phone-jack connector.
 - D. Carefully insert and gently screw-on the light guide to the front-end of **Celalux 3** handpiece (threaded socket, Fig. 7, 9). The light guide rotates independently of the handpiece.
 - E. Attach the eye-protector on to the light guide.



1. First, check that the voltage indicated on the **Celalux 3** name plate complies with the local power supply
2. Place the recharging station on a stable, horizontal surface at least 1.5 m from the patient!
3. Attach the eye-protector on to the light guide

3.3. Charging

- A. Fully charge both battery packs prior to first use. Insert the batteries onto the charging connectors in the recharging station (Fig. 10).
- B. When resistance is encountered, push on the battery pack to lock it in place (Fig. 7). A green light will be seen on the recharging station indicating that charging is in progress.
- C. When the green light turns off, battery charging is complete.
- D. When the **Celalux 3** is not in use, battery packs should be kept on the charging mounts to ensure maximum battery operating time.
- E. Depleted battery packs will require approximately an hour to fully recharge. A fully charged battery pack will power the **Celalux 3** for approximately 45 cycles.




1. **Never autoclave the battery packs!**
2. These batteries are memory-free and should be kept charging whenever possible.
3. These battery packs may only be charged by using the provided recharging station.
4. Do not insert metallic parts into open end of battery; short circuit could occur.
5. Keep battery contacts dry for proper operation.

3.4. Operation

- A. Gently insert one battery pack into the rear-end of the **Celalux 3** handpiece (Fig. 7). You will feel the connector slide the battery automatically into the "Off position" (Fig. 7).
- B. When resistance is felt, gently push the battery all the way into the handle (Fig. 7). A click will be heard when the battery pack is completely inserted and correctly seated in the **Celalux 3** handpiece.
- C. Rotate the battery pack by a quarter turn, in either direction, to the "On position". To confirm, that the device is correctly powered, a short flash of blue light is seen.
- D. With the handpiece and battery pack in the "On position", the **Celalux 3** can now be activated via the switch (Fig. 11).
- E. Activate the **Celalux 3** by the switch on the handpiece (Fig. 11). The instrument notifies the start of a cycle by a short vibration.
- F. Once activated, the **Celalux 3** curing light will emit blue light for 20 seconds.
- G. After 10 seconds the **Celalux 3** will vibrate and flash once signaling the time cured as an orientation.
- H. To manually stop curing or interrupt the curing cycle, press a second time the switch on the handpiece (Fig. 13). After 20 seconds the light stops automatically and a long vibration indicates the end of the cycle.
- I. If the battery pack is depleted the **Celalux 3** will indicate that by flashing/vibrating 5 times in quick succession. Replace with 2nd battery pack and resume the procedure. Do not place the depleted battery pack in the recharging station until it is properly cleaned and disinfected.
- J. Adjust the angle of the light if necessary by "rolling" a pen-like grip or rotate the light guide.
- K. For optimal curing results, the light guide tip should be positioned as close as possible to the dental material without actually touching the dental material itself.
- L. The **Celalux 3** handpiece may feel slightly warm during prolonged operation. This is normal. To prevent the device from overheating, a pause of 3 minutes is therefore necessary every time 10 curing cycles of 20 seconds each have been carried out in direct sequence. The device vibrates 4 times to indicate when too many consecutive curing cycles have been carried out. The **Celalux 3** is ready to be used again after the 3-minute break.
- M. To inspect the light output with the built in radiometer: put the cleaned end of the light guide on to the sensor window with the output surface oriented horizontally and

activate a curing cycle. The adjacent LED will light green, if light output is ready to cure within normal curing times. It will indicate red, when light output is reduced, see trouble shooting section. You may stop the cycle as soon as you got the reading. The radiometer works only if the charger is connected to the power supply.

- N. After the procedure or when the instrument is not in use, turn the battery pack to the "Off position" or remove it from the instrument for recharging. This is important for battery life.



1. Prior to using the **Celalux 3**, attached the eye-protector on to the light guide and use protective, light filtering eyewear (ex. glasses).
2. Do not stare at operating curing light. May be harmful to the eyes. Risk Group 2, Caution: possibly hazardous optical radiation emitted from this product
3. Only use the **Celalux 3** after it has completed an adequate hygiene procedure.
4. Never place the **Celalux 3** handpiece, light guide, or depleted battery packs on the recharging stations before they are cleaned & disinfected.

4. Dental Material Recommendations


In general, the **Celalux 3** has been optimized to achieve a 10-20 second curing time with dental materials which cure with blue light (450 nm to 480 nm).

These materials include restoratives, bonding agents & adhesives, bases, liners, fissure sealants, some temporary materials and luting materials for brackets as well as dental-lab materials such as ceramic inlays. However, manufacturer's instructions regarding specific light curing dental materials should be followed.

5. Hygiene

5.1. Before Patient Treatment


- Check regularly that the light output via the radiometer and inspect the light guide to assure there are no obstructions.
- Check that the eye-protector is installed on the light guide properly.
- Outfit dental personnel and patient with appropriate protective eyewear (light filtering, infection protection).
- Consider patient's health needs, potential light sensitivity and determine the appropriate precautionary actions.
- Place the **Celalux 3** handpiece in a convenient place for use during treatment.



1. Prior to treatment, attach the rubber eye-protector on to the light guide and use protective, light filtering eyewear (ex. glasses)
2. Only use the **Celalux 3** after it has completed an adequate hygiene procedure.

5.2. During Patient Treatment


- Never place the **Celalux 3** handpiece, light guide, or depleted battery packs on the recharging stations before they are cleaned & disinfected.
- Do not use the **Celalux 3** as a tissue retractor to manipulate the tongue and/or cheeks.



1. Only use the **Celalux 3** after it has completed an adequate hygiene procedure.
2. Never place the **Celalux 3** handpiece, light guide, or depleted battery packs on the recharging stations before they are cleaned & disinfected

5.3. After Patient Treatment

- Discard examination gloves according to local regulations and disinfect hands with a bactericidal, virucidal, and fungicidal hand disinfectant solution according to local regulations. Use according to disinfectant solution manufacturer's instructions for use. Use a new, clean pair of examination gloves for cleaning and disinfection of the **Celalux 3**.
- Remove eye-protector. Clean and disinfection this separately.
- Remove bioburden from the **Celalux 3**
- Disinfect with alcohol based fluids by wiping the complete exterior of the **Celalux 3** components. Use a single-use cloth for wiping the unit. Do not submerge and be careful to avoid getting the battery pack contacts wet. Do not allow fluids to penetrate into the handpiece.
- The battery pack can be removed after the **Celalux 3** exterior has been cleaned and disinfected.
- The light guide can be removed after cleaning and disinfection. The light guide and the eye-protector can now be autoclaved using a validated sterilization process at a max. temperature of 134°C and for a time of up to 20 min. Perform sterilization according to EN 17665-1:2006 and EN 556-1:2001 at 134 °C for at least 3 minutes and use steam sterilizers that comply with the requirements of EN 13060:2004+A2:2010, class B or S.
- After cleaning and disinfection, place the **Celalux 3** and battery pack back on the recharging station. Do not leave the battery in the instrument, when not in use.



1. Only use the **Celalux 3** after it has completed an adequate hygiene procedure.
2. Never place the **Celalux 3** handpiece, light guide, or depleted battery packs on the recharging stations before they are cleaned & disinfected
3. Disinfect with alcohol based fluids by wiping the complete exterior of the **Celalux 3** components. Do not submerge in fluids and be careful to avoid getting the battery pack contacts wet. Keep battery contacts dry for proper operation.
4. The battery pack can be removed after the **Celalux 3** exterior has been cleaned and disinfected.
5. Battery packs and handpiece must not be autoclaved!!

6. General Care & Maintenance

- Regularly inspect the **Cetalux 3** for damage and if necessary send for repair service.
- Use the built-in radiometer to monitor output.
- The surface of the recharging station can be cleaned and disinfected using a mild cleaner or disinfectant with an alcohol base. To avoid scratches, always use a soft, lint-free cloth to clean plastic surfaces.

6.1. Battery Care

- As is the case with all batteries, battery capacity will decline during the course of its product lifetime. With time, batteries are a consumable item. This is due to the internal chemical reaction inside batteries. Never open the batteries. Replacement is at user's discretion.
- When the **Cetalux 3** is not in use, battery packs should be kept on the charging mounts which is connected to an active electrical outlet to ensure maximum battery operating time.
- Battery contacts usually do not require cleaning and must be kept dry.
- This device is provided with 2 batteries. The **Cetalux 3** and battery should not be disposed in normal domestic waste. For environmental reasons, please dispose of the device and battery according to local environmental guidelines or regulations.
- Ensure that only depleted batteries are taken to recycling centres, and take preventive measures against short-circuiting, such as insulation of the battery poles.

	1. Battery pack contacts usually do not require cleaning and must be kept dry.
	2. Never open or modify the batteries.
	3. Keep batteries a safe distance from sources of heat and fire.

6.2. Repair Service

- Inform the technical service department of your local dental supplier of a malfunction and the need of repair.
- Pack all components of the **Cetalux 3** in a sturdy carton with appropriate protective inner-packaging, include your name, address, and a brief description of the problem. Important: enclose a copy of proof of purchase (ex. invoice, shipping note) if the **Cetalux 3** is within the warranty period.
- Send your package to your local dental supplier with a reliable postal/shipping service.

7. Trouble-Shooting

If there is any doubt about safe operation, then power must be disconnected and the battery removed to avoid accidental operation. This may be the case, for example, if the apparatus is visibly damaged or no longer works correctly.

Symptom	Action
Unit does not turn "On"	1. Check if battery pack is properly inserted and in the "On" position 2. Replace/recharge battery pack
Radiometer turns "red" or light operates normally but material doesn't cure	1. Check if light guide is correctly inserted, clean and no damages can be found. Clean both end surfaces carefully from any debris with alcohol and a wooden or plastic cleanser, don't use hard or metal tools. 2. Replace light guide if damaged or appears cloudy. 3. Contact your dealer for further technical assistance.

The instrument communicates with several vibration signals to inform about normal or special operating modes.

Vibration signal	Explanation
1 x	A 20 second curing cycle has started
1 short signal	10 seconds of curing have been completed
1 x	A 20 second curing cycle has ended
2 x	A curing cycle has been interrupted before 20 seconds
3 x	The internal temperature of the handpiece is too high, please allow some minutes for cooling before next use
4 x	Too many consecutive curing cycles have been done, a short pause is required
5 x	Battery charge is low, needs recharging

8. Compliance

8.1. Declaration of Conformity

VOCO hereby declares that the design, structure and version introduced to the dental market of the unit described in this manual correspond to the relevant safety and health requirements of the EU Directive. This declaration is invalid in the event of an alteration made to the unit without prior VOCO authorization.

VOCO hereby confirms that the **Cetalux 3** unit complies with the directive 93/42 EC and the standards IEC 60601-1 and IEC 60601.

8.2. EMC Tables

See Annex 1

8.3. Regulatory Certifications

93/42/EEC

Council Directive 93/42/EEC of Date concerning medical devices amended by directive 2007/47/EC, annex 1

9. Technical Data

This device is provided with 2 batteries. The **Cetalux 3** and battery should not be disposed in normal domestic waste. For environmental reasons, please dispose of the device and battery according to local environmental guidelines or regulations.

Cetalux 3 instrument

Classification of product	Class I, according to rule 12, council directive 93/42/EEC
Applied part	Type BF
Light source	High power Light Emitting Diode
Wavelength	450-480 nm with peak at 465 nm
Average light intensity	1300 mW/cm ²
Operation	intermittent use, 10 cycles @ 20 sec / 3 minutes pause
Protection from liquids	IP X0
Light guide	D 8 mm optical fiber, (autoclavable @ max. 134 °C, max. 20 min)
Battery	Lithium-Polymer, rechargeable battery, 3,7 V; 270 mAh
Battery performance	>45 cycles @ 20 sec
Dimensions	D 12,6 mm x L 210 mm
Weight	70 g (with battery and light guide)

Charger station

Input	6 VDC, < 1 A
Capacity	simultaneous, automatic charging of 2 batteries with overcharging protection
Radiometer	built in, optical indication for light intensity, green/red - suitable/insufficient for effective treatment
Dimensions	L 160 mm x W 90 mm x H 35 mm
Weight	170 g

AC Supply

Input	100-240 VAC, 50/60 Hz, 0,5 A
Output	6 VDC/1 A
Classification	Class II, double/reinforced isolated equipment
Plug	exchangeable wall plug adapter

General

Environment	Not intended for use where flammable gases are present
Operating conditions	10 °C - 30 °C
Storage & transport	-20 °C - 45 °C, 10% - 95% humidity, 50 - 106 kPa barometric pressure

10. Warranty

VOCO grants a 24 months warranty on all components of the **Cetalux 3** except the battery and the light guide. The warranty commences on the date of purchase.

Within the warranty period, VOCO will free of charge, eliminate any defects in the **Cetalux 3** and **Cetalux 3** accessories resulting from faults in material or workmanship. VOCO reserves the right to either repair or exchange parts or exchange the complete device. The following is not covered by this warranty: Damage from improper use (ex. operation with incorrect current/voltage, breakage, cleaning by other than the recommended methods); Normal wear and defects that have a minor effect on the value or operation of the device. This warranty becomes void if repairs are undertaken by unauthorized persons.

This warranty extends to every country where this device is supplied by VOCO or by authorized representatives of VOCO products and where no import restrictions or legal regulations hinder or prevent service being given under warranty. Service under this warranty does not affect the expiration date of the warranty. The warranty on parts or entire devices which are exchanged ends when the warranty on this device expires.

In the event of a complaint claim regarding this device, return the complete **Cetalux 3** device (Recharging station, handpiece, battery packs, and light guides) together with the proof of purchase (ex. Invoice) to your dealer.

All other claims including those for damages resulting from this warranty are excluded unless our liability is legally mandatory. Except where prohibited by law, VOCO will not be liable for any loss or damage arising from this product, whether direct, indirect, special, incidental or consequential, regardless of the theory asserted, including warranty, contract, negligence or strict liability.




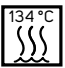


11. Re-Order information

Accessory	Re-Order Number
Cetalux 3 LED curing light.....	9090
8 mm Light Guide.....	9091
Battery Pack.....	9092
Rubber shield (5 pcs.).....	9093

12. Storage & Transport Information

Keep dry	Fragile, handle with care	Temperature limitation	Humidity relative	Pressure

13. Explanation of Symbols

	Complies with the regulations of the directive 93/42/EEC.
	Attention: Please see the documentation that accompanies this product!
	This symbol refers to the special disposal of electrical and electronic devices in EU countries. Please do not discard this device in household garbage. Check the proper means of disposal in your country at your community recycling or waste center or at your dealer. Take care to dispose of properly.
	This symbol indicates that a product or instrument (here, Celalux 3 Light guides and eye-protector) can be sterilized at the indicated temperature (134 °C = 275 °F).
	Please see the operating manual!
	Warning symbol: high intensity LED radiation

14. Contact Information

- In case of problems, please contact or e-mail VOCCO.

Annex 1

Guidance and manufacturer's declaration – Electromagnetic emissions

EN 60601-1-2/Table 201
Equipment Group 1 and Class B; per CISPR 11

The Celalux 3 is intended for use in the electromagnetic environment specified below. The customer or the user of the Celalux 3 should ensure that it is used in such an environment		
RF emissions CISPR 11	Group 1	The Celalux 3 uses RF energy only for its internal function. Therefore its RF emissions are very low and are not likely to cause any interference in nearby electronic equipment.
RF emissions CISPR 11	Class B	The Celalux 3 is suitable for use in all establishments, including domestic establishments and those directly connected to the public low-voltage power supply network that supplies buildings used for domestic purposes.
Harmonic emissions IEC 61000-3-2	Complies	
Voltage fluctuations / flicker emissions IEC 61000-3-3		

Guidance and manufacturer's declaration – Electromagnetic immunity

EN 60601-1-2 / Table 202

The Celalux 3 is intended for use in the electromagnetic environment specified below. The customer or the user of the Celalux 3 should ensure that it is used in such an environment.			
Immunity Test	IEC 60601 Test Level	Compliance	Electromagnetic Environment Guidance
Electrostatic discharge (ESD) IEC 61000-4-2	±6 kV contact ±8 kV air	The device continues to work regularly and in safety.	Floors should be wood, concrete or ceramic tile. If floors are covered with synthetic material, the relative humidity should be at least 30%.
Radiated RF IEC 61000-4-3	3 V/m 80 MHz to 2.5 GHz	The device continues to work regularly and in safety.	Field strengths from fixed transmitters cannot be predicted theoretically with accuracy. To assess the electromagnetic environment due to fixed RF transmitters, an electromagnetic site survey should be considered.
Electrical fast transient / burst IEC 61000-4-4	±2 kV for power supply lines ±1 kV for input / output lines	The device continues to work regularly and in safety.	Mains power quality should be that of a typical commercial or hospital environment.
Surge IEC 61000-4-5	±1 kV differential mode ±2 kV common mode	The device continues to work regularly and in safety.	

Conducted RF IEC 61000-4-6	3 Veff 150 kHz to 80 MHz	The device continues to work regularly and in safety.	Portable and mobile RF communications equipment should be used no closer to any part of the disposal including cables, than the recommended separation distance calculated from the equation applicable to the frequency of the transmitter. Recommended separation distance: $d = 1.2 \sqrt{P}$ $d = 1.2 \sqrt{P}$ 80 MHz to 800 MHz $d = 2.3 \sqrt{P}$ 800 MHz to 2.5 GHz
Power frequency (50/60 Hz) magnetic field IEC 61000-4-8	3-100 A/m	The device continues to work regularly and in safety.	Power frequency magnetic fields should be at levels characteristic of a typical location in a typical commercial or hospital environment.
Voltage dips, short interruptions and voltage variations on power supply input lines IEC 61000-4-11	< 5% U/10 ms 70% U/0.5 s 40% U/0.1 s	The device can vary from the required levels of immunity with a duration for as long as the device remains in safety; no malfunctions have been detected and can be restored to pre-test status with the intervention of the operator	Mains power quality should be that of a typical commercial or hospital environment.

Note:

- (P) is the maximum output power rating of the transmitter in watts (W) according to the transmitter manufacturer and (d) is the recommended separation distance in meters (m). Field strengths from fixed RF transmitters, as determined by an electromagnetic site survey, should be less than the compliance level in each frequency range (b). Interference may occur in the vicinity of equipment marked with the following symbol:



- These guidelines may not apply in all situations. Electromagnetic propagation is affected by absorption and reflection from structures, objects and people. Field strengths from fixed transmitters, such as base stations for radio (cellular / cordless) telephones and land mobile radios, amateur radio, AM and FM radio broadcast and TV broadcast cannot be predicted theoretically with accuracy. To assess the electromagnetic environment due to fixed RF transmitters, an electromagnetic site survey should be considered. If the measured field strength in the location in which the **Celalux 3** is used exceeds the applicable RF compliance level above, the **Celalux 3** should be observed to verify normal operation. If abnormal performance is observed, additional measures may be necessary, such as re-orienting or relocating the **Celalux 3**.

Recommended separation distances between portable and mobile RF communications equipment and the Celalux 3

This product is intended for use in an electromagnetic environment in which radiated RF disturbances are controlled. The customer or the user of the **Celalux 3** can help prevent electromagnetic interference by maintaining a minimum distance between portable and mobile RF communications equipment (transmitters) and the **Celalux 3** as recommended below, according to the maximum output power of the communications equipment.

Celalux 3

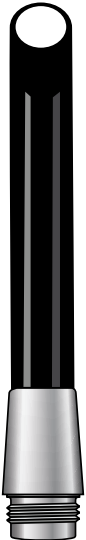
EN 60601-1-2 / Table 206

Separation distance according to frequency of transmitter (m)			
Rated maximum output power of transmitter (W)	50 kHz-80 MHz $d = 1.2 \times \sqrt{P_{\text{Sender}}}$	80 MHz-800 MHz $d = 1.2 \times \sqrt{P_{\text{Sender}}}$	800 MHz-2.5 GHz $d = 2.3 \times \sqrt{P_{\text{Sender}}}$
0.01	0.12	0.12	0.23
0.1	0.38	0.38	0.73
1	1.2	1.2	2.3
2	1.7	1.7	3.25
10	3.8	3.8	7.3
100	12	12	23

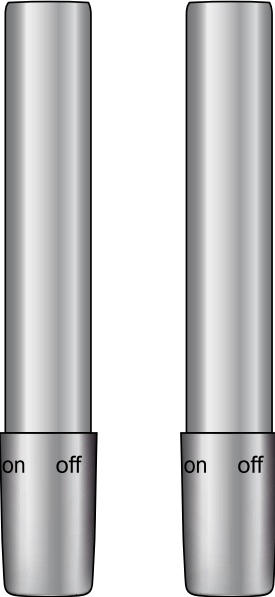
1 Handstück



2 Lichtleiter

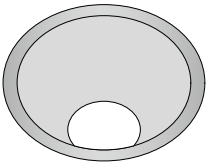


3 2 Akkus

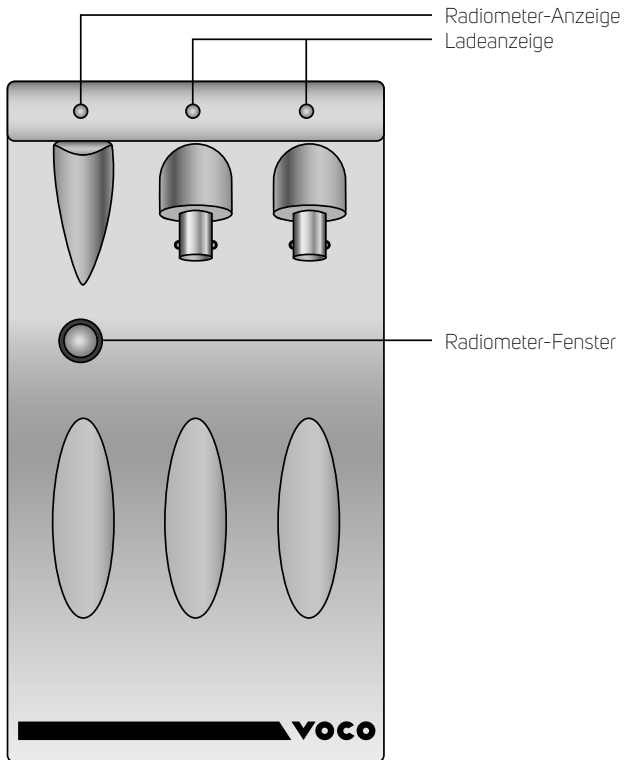


Celalux 3 Polymerisationslampe • Komponenten

4 Blendschutz



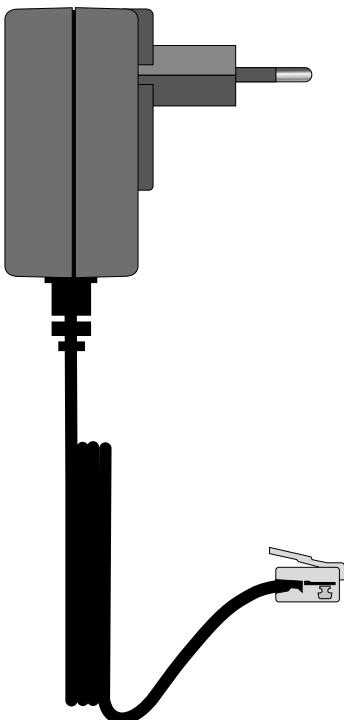
5 Ladestation



Radiometer:

- Grün = OK
- Rot = geringe Leistung

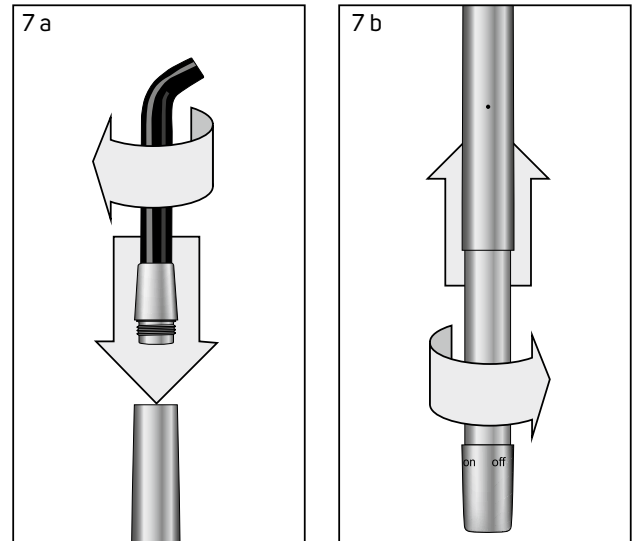
6 Stromkabel



Celalux 3 Polymerisationslampe • Kurzanleitung:

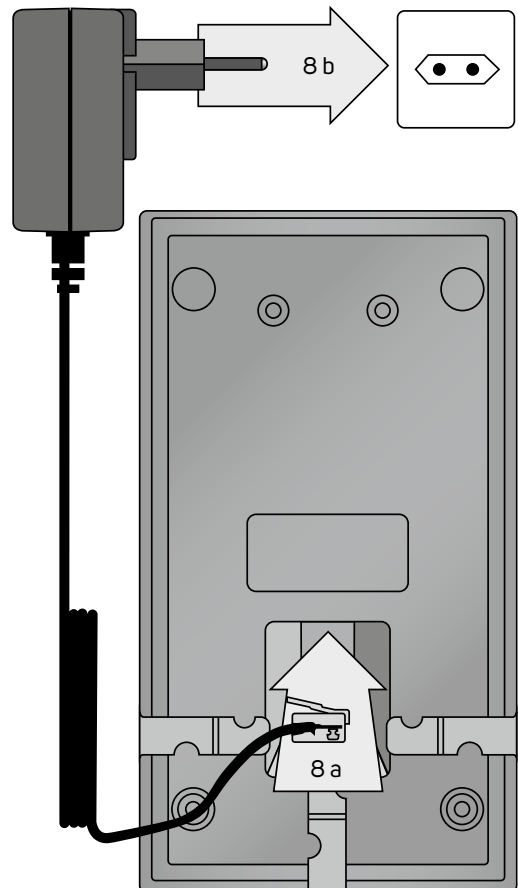
7 Handstück:

- Lichtleiter aufschrauben
- Akku einlegen; beim Einsetzen drehen



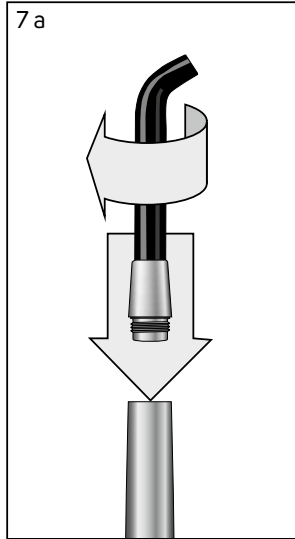
8 Ladestation:

- Stromkabel in Ladestation stecken
- Stromkabel in Steckdose stecken



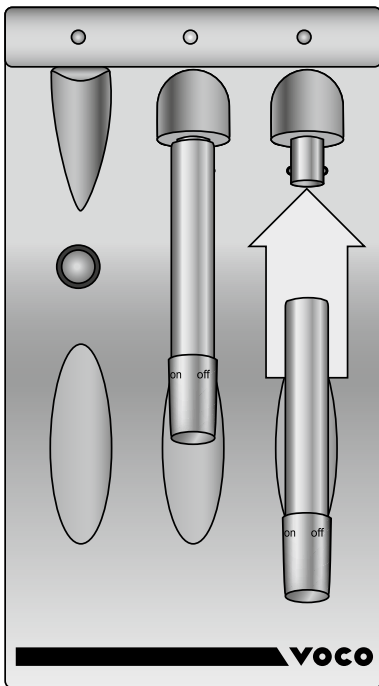
9 Handstück:

- Lichtwinkel einstellen
- Spitze des Lichtleiters nahe am Material positionieren, um ein optimales Ergebnis zu erzielen
- Befestigung des Lichtleiters prüfen
- Beide Enden des Lichtleiters auf Ablagerungen oder Verschlüsse prüfen und ggf. reinigen
- Handstück-Fenster prüfen



10 Ladestation:

- Akku auf Ladehalterung (2 Schritte)
- Erst nach der Reinigung und Desinfektion auf die Ladestation zurückstellen
- Regelmäßig die korrekte Lichtleistung mit dem Radiometer prüfen
- Ladeanzeige der Akkus prüfen



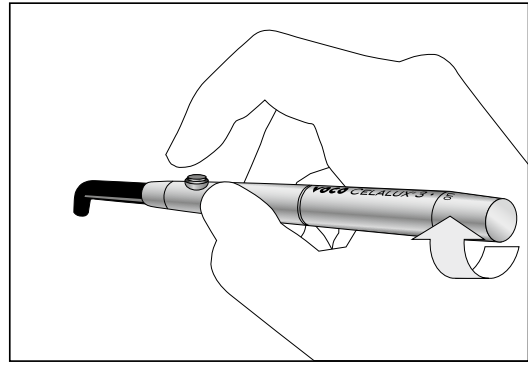
Ladevorgang:

- Anzeige leuchtet dauerhaft = Akku wird geladen
- Anzeige ist aus = Akku ist vollständig geladen und einsatzbereit

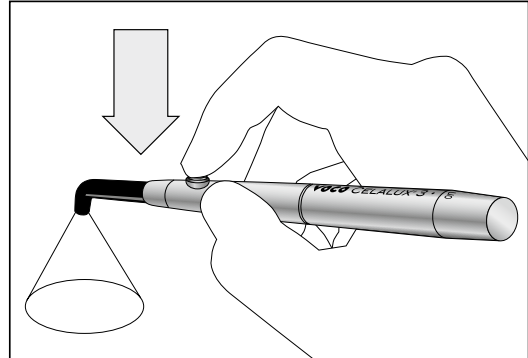
Radiometer:

- Grün = OK
- Rot = geringe Leistung

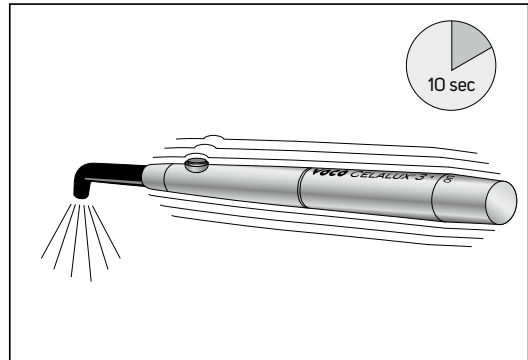
11 Aktivierung von Celalux 3: Handstück einschalten



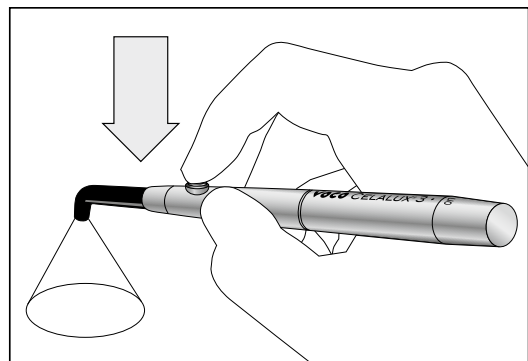
12 Licht für 20 Sekunden aktivieren: Schalter am Handstück drücken



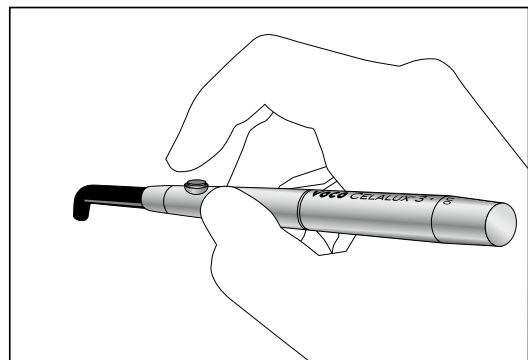
13 Nach 10 Sekunden vibriert und blinkt das Handstück



14 Licht ausschalten: Schalter am Handstück drücken



15 Licht ist aus



CELALUX® 3

Polymerisationslampe

Achtung: Nur für den zahnärztlichen Gebrauch.
USA: Nur für den behandelnden Arzt (Rx only)
Hergestellt in der Schweiz

Inhalt	Seite
1. Produktbeschreibung und Verwendungszweck.....	14
1.1. Indikationen.....	14
1.2. Kontraindikationen.....	14
2. Sicherheitshinweise.....	14
2.1. Allgemeine Warnungen.....	14
2.2. Handstück.....	14
2.3. Ladestation.....	14
2.4. Vorsichtsmaßnahmen.....	14
3. Bedienungsanleitung.....	15
3.1. Pflichten des Eigentümers.....	15
3.2. Montage.....	15
3.3. Ladevorgang.....	15
3.4. Bedienung.....	15
4. Empfehlungen zu Dentalwerkstoffen.....	15
5. Hygiene.....	15
5.1. Vor der Behandlung.....	15
5.2. Während der Behandlung.....	15
5.3. Nach der Behandlung.....	15
6. Allgemeine Pflege und Wartung.....	16
6.1. Akkupflege.....	16
6.2. Reparaturservice.....	16
7. Fehlerbehebung.....	16
8. Konformität.....	16
8.1. Konformitätserklärung.....	16
8.2. EMV-Tabellen.....	16
8.3. Regulatorische Zertifizierungen.....	16
9. Technische Daten.....	16
10. Garantie.....	16
11. Informationen zur Nachbestellung.....	17
12. Informationen zu Lagerung und Transport.....	17
13. Legende.....	17
14. Kontaktinformation.....	17
Anhang 1.....	17

1. Produktbeschreibung

Die **Celalux 3** ist eine kabellose Hochleistungs-LED-Polymerisationslampe in Stiftform zur Polymerisation von lichthärtenden Dentalwerkstoffen, die durch Wellenlängen von 450 nm bis 480 nm aktiviert werden. Das Gerät wurde exklusiv für geschultes zahnmedizinisches Personal in der Praxis oder im Dentallabor entwickelt. Wesentliche Merkmale von **Celalux 3** sind:

- Hohe Lichtleistung (blaues Licht)
- Geringes Gewicht und kompaktes, ergonomisches Design
- Kabelloser Betrieb mit leicht austauschbaren Akkus
- Außergewöhnlich schnelles Aufladen der Akkus
- Abnehmbare(r) Lichtwellenleiter für einen optimalen intraoralen Zugang
- Wirkungsvolles Lichtfeld für die Polymerisation von lichthärtenden Materialien
- Praktische und einfach zu bedienende Ladestation mit zusätzlichen Akkus und integriertem Radiometer

Die **Celalux 3** wird vom Hersteller in sicherem und technisch einwandfreiem Zustand geliefert. Um eine hohe Produktleistung und einen risikofreien Betrieb zu gewährleisten und Verletzungen an Patienten und zahnmedizinischem Personal zu vermeiden, muss die folgende Gebrauchsanweisung strikt eingehalten werden.

1.1. Indikationen

Die Polymerisationslampe **Celalux 3** ist indiziert zur Polymerisation von Dentalwerkstoffen, deren Aushärtung mit blauem Licht (450–480 nm) erfolgt.

1.2. Kontraindikationen

Die Polymerisationslampe **Celalux 3** darf bei folgenden Patienten nicht eingesetzt werden:

- Patienten, die anfällig für photobiologische Reaktionen sind, einschließlich Patienten mit Urticaria solaris oder erythropoetischer Protoporphyrinurie; oder
- Patienten, die mit photosensibilisierenden Medikamenten behandelt werden.

Jede Person (Anwender, Patienten usw.), die Fragen oder Bedenken hat oder im Vorfeld gesundheitliche Probleme mit ihren Augen hatte (z. B. Netzhauterkrankungen, Retinopathie, Katarakte usw.), sollte vor der Bedienung von oder einer Behandlung mit der Polymerisationslampe **Celalux 3** ihren Augenarzt konsultieren.

2. Sicherheitshinweise

Die **Celalux 3** darf nur wie in diesem Handbuch beschrieben eingesetzt werden. Jedwede andere Nutzung gilt als unsachgemäß und liegt in der alleinigen Verantwortung des Anwenders und Eigentümers.



Symbol für Sicherheitswarnungen

Dieses Symbol weist Sie auf Informationen zu möglichen Sicherheits- und/oder Verletzungsgefahren hin. Beachten und befolgen Sie alle Sicherheitshinweise, die in Zusammenhang mit diesem Symbol stehen.

2.1. Allgemeine Warnungen

- Nehmen Sie niemals Änderungen an der Polymerisationslampe **Celalux 3** oder an Zubehörteilen für die **Celalux 3** vor. Änderungen können die Sicherheit und Leistung des Geräts beeinträchtigen.
- Achten Sie bei der Verwendung von der **Celalux 3** in der Mundhöhle auf angemessene Maßnahmen zur Infektionskontrolle und wenden Sie nach dem Gebrauch die entsprechenden Hygienemaßnahmen an.
- Verwenden Sie keine beschädigten Geräte. Überprüfen Sie den Lichtleiter regelmäßig auf Kratzer und Oberflächenbeschädigungen.
- Die Polymerisationslampe **Celalux 3**, der Akku und die Ladestation dürfen nur von autorisierten Technikern repariert werden.
- Platzieren Sie die **Celalux 3** und die Ladestation nach Möglichkeit nicht auf, unter oder in der Nähe von anderen Geräten. Es sollte immer ein sicherer Abstand zu anderen elektrischen Geräten eingehalten werden.
- Der Gebrauch von anderem als dem in diesem Handbuch aufgeführten Zubehör kann zu Sicherheitsproblemen und/oder zu verminderter Produktleistung führen. Aus diesem Grund sollte nur vom Hersteller genehmigtes Zubehör eingesetzt werden.
- Laden und verwenden Sie das Gerät niemals in der Nähe von entzündlichen oder brennbaren Substanzen.

2.2. Handstück

- Vergewissern Sie sich, dass der Ausgang des Lichtleiters nicht verschmutzt bzw. so verdeckt ist, dass die Lichtemission blockiert wird.
- Verwenden Sie den **Celalux 3**-Lichtleiter nicht als Geweberetractor oder zum Manipulieren von Zunge und/oder Wangen.
- Achten Sie darauf, dass der **Celalux 3**-Blendschutz fest angebracht ist und überprüfen Sie ihn regelmäßig. Tauschen Sie ihn bei Bedarf aus.
- Reinigen und desinfizieren Sie das **Celalux 3**-Handstück stets, ehe Sie es auf die Ladestation stellen.
- Um die Lichtrichtung zu ändern, drehen Sie das gesamte Handstück so, als würden Sie einen Stift zwischen den Fingern rollen, oder drehen Sie den Lichtleiter unabhängig vom Handstück.
- Schalten Sie den Akku stets in die „Off“-Position, wenn Sie das Handstück nicht verwenden. So verhindern Sie ein unbeabsichtigtes Aktivieren.

2.3. Ladestation

- Vergewissern Sie sich, dass die Netzspannung mit der auf dem Produkt angegebenen Spannung übereinstimmt. Nutzen Sie die Ladestation nicht mit anderen als den in diesem Handbuch oder auf dem Gerät angegebenen Spannungen.
- Ladestation und Akku stehen unter Spannung. Öffnen Sie daher nie die Ladestation oder den Akku. Verwenden Sie das Gerät nur unter trockenen Bedingungen und niemals, wenn es feucht ist.
- Installieren und bedienen Sie das Gerät nur auf ebenen Oberflächen.
- Trennen Sie die Netzverbindung (z. B. durch Ziehen des Netzsteckers aus der Wandsteckdose), ehe Sie den Netzkabelstecker von der Ladestation trennen.
- Fassen Sie die Ladestation nur mit sauberen/desinfizierten Handschuhen an, um eine Kontamination mit Körperflüssigkeiten zu vermeiden.
- Verwenden Sie das Netzkabel ausschließlich für **Celalux 3**.

2.4. Vorsichtsmaßnahmen

- Personen, die einer Kataraktbehandlung unterzogen wurden, photobiologische Reaktionen zeigen oder mit photosensibilisierenden Medikamenten behandelt werden (z. B. 8-Methoxyksoralen oder Dimethyl-Chlortetracyclin), können lichtempfindlich sein. Diese Patienten sollten nicht mit der **Celalux 3** behandelt werden.
- Patienten und zahnmedizinisches Personal sollten stets die entsprechenden Sicherheitsmaßnahmen beachten. Verwenden Sie die Polymerisationslampe **Celalux 3** mit größter Sorgfalt und halten Sie sämtliche Sicherheitsvorkehrungen ein. Dazu gehört unter anderem das Tragen einer geeigneten UV-Schutzbrille.
- Verwenden Sie die **Celalux 3** nur, nachdem sie das entsprechende Hygieneverfahren durchlaufen hat.
- Verwenden Sie keine Mobiltelefone oder andere mobile elektronische Geräte gleichzeitig mit der **Celalux 3**.
- Richten Sie das Licht nicht auf ungeschütztes Weichgewebe. Dies kann zu Irritationen und/oder Verletzungen führen.
- Schauen Sie nicht in die Lichtquelle und richten Sie das Licht nicht direkt in die Augen. Dadurch und durch Reflexion des Lichts von glänzenden Oberflächen, beispielsweise der Zahnoberfläche, kann es zu Augenverletzungen kommen. Bringen Sie immer den Blendschutz an die **Celalux 3** an und verwenden Sie eine UV-Schutzbrille.
- Wenden Sie das Licht nur an der Behandlungsstelle an.
- Eine längere Nutzung von Polymerisationslampen kann zu einer erhöhten Temperatur führen. Verwenden Sie das Gerät nicht über einen längeren Zeitraum in der Nähe der Pulpa und des Weichgewebes, um Schäden zu vermeiden. Bei der Anwendung in der Nähe von oder um empfindliches Gewebe herum sollte das Aushärten mit angemessenen Ruhepausen durchgeführt werden.

3. Bedienungsanleitung

3.1. Pflichten des Eigentümers

Neben der Einhaltung der gesetzlichen Bestimmungen muss der Eigentümer sicherstellen, dass die gesetzlichen Anforderungen am gesamten Arbeitsplatz eingehalten und umgesetzt werden. Insbesondere muss der Eigentümer das Personal schulen und alle branchenrelevante Arbeitsschutzgesetze und damit verbundene Bestimmungen oder Gesetze einhalten.

Es liegt in der alleinigen Verantwortung des Eigentümers sicherzustellen, dass sich das Gerät **Celalux 3** jederzeit in einwandfreiem Betriebszustand befindet. Verwenden Sie die Einheit im Zweifelsfall nicht, und wenden Sie sich an VOOCO.

VOOCO empfiehlt, dieses Handbuch und dazugehörige Dokumente zusammen aufzubewahren.

3.2. Montage

- Entnehmen Sie alle **Celalux 3**-Komponenten vorsichtig aus der Verpackung und machen Sie sich mit den einzelnen Elementen vertraut. Überprüfen Sie die Lieferung auf Vollständigkeit.
 - A. Überprüfen Sie zunächst, ob die auf dem Typenschild von **Celalux 3** angegebene Spannung mit der lokalen Netzspannung übereinstimmt (**Abb. 8**).
 - B. Stecken Sie den Klinkenstecker des Netzkabels auf der Unterseite der Ladestation in die entsprechende Buchse (**Abb. 8**).
 - C. Führen Sie das Stromkabel neben der Buchse der Ladestation unter den drei Klammern zu einem der drei Kabelausgänge (**Abb. 8**). Das Stromkabel sollte flach unter den Klammern liegen und Spannung auf den Klinkenstecker verhindern.
 - D. Stecken Sie den Lichtleiter vorsichtig auf das obere Ende des **Celalux 3**-Handstücks (Gewindehülse, **Abb. 7, 9**) und drehen Sie ihn vorsichtig fest. Der Lichtleiter dreht sich unabhängig vom Handstück.
 - E. Bringen Sie den Blendschutz am Lichtleiter an.



1. Überprüfen Sie zunächst, ob die auf dem Typenschild von der **Celalux 3** angegebene Spannung mit der lokalen Netzspannung übereinstimmt.
2. Stellen Sie die Ladestation auf einer stabilen, waagerechten Oberfläche, mindestens 1,5 m vom Patienten entfernt auf.
3. Bringen Sie den Blendschutz am Lichtleiter an.

3.3. Ladevorgang

- A. Vor dem ersten Gebrauch sollten beide Akkus vollständig aufgeladen werden. Stecken Sie die Akkus auf die Ladeanschlüsse der Ladestation (**Abb. 10**).
- B. Wenn Sie einen Widerstand spüren, drücken Sie den Akku fest, bis er einrastet (**Abb. 7**). An der Ladestation leuchtet eine grüne Lampe auf, die anzeigt, dass der Ladevorgang gestartet wurde.
- C. Wenn die grüne Lampe erlischt, ist der Ladevorgang abgeschlossen.
- D. Wenn die **Celalux 3** nicht in Gebrauch ist, sollten die Akkus auf der Ladestation verbleiben, um eine maximale Betriebszeit zu gewährleisten.
- E. Das Aufladen vollständig entladener Akkus dauert etwa eine Stunde. Mit einem vollständig aufgeladenen Akku können etwa 45 Aushärtungszyklen durchgeführt werden.



1. Die Akkus dürfen niemals autoklaviert werden!
2. Die Akkus weisen keinen Memory-Effekt auf und sollten nach Möglichkeit immer auf der Ladestation verbleiben.
3. Die Akkus dürfen nur mit der im Lieferumfang enthaltenen Ladestation aufgeladen werden.
4. Führen Sie keine Metallgegenstände in das offene Ende der Akkus ein – es besteht die Gefahr eines Kurzschlusses.
5. Die Akkukontakte sollten immer trocken sein, damit ein einwandfreier Betrieb gewährleistet ist.

3.4. Bedienung

- A. Legen Sie einen Akku vorsichtig in das Ende des **Celalux 3**-Handstücks ein (**Abb. 7**). Der Akku rastet automatisch in die Position „Off“ (**Abb. 7**).
- B. Sobald Sie einen Widerstand spüren, drücken Sie den Akku ganz in den Handgriff hinein (**Abb. 7**). Sie hören ein Klicken, wenn der Akku vollständig eingelegt und korrekt im **Celalux 3**-Handstück platziert ist.
- C. Drehen Sie den Akku um eine Vierteldrehung in eine Richtung, um ihn in die Position „On“ zu bringen. Ein blaues Licht blinkt kurz auf und bestätigt, dass das Gerät korrekt mit Strom versorgt wird.
- D. Wenn sich Handstück und Akku in der Position „On“ befinden, kann die **Celalux 3** über den Schalter aktiviert werden (**Abb. 11**).
- E. Aktivieren Sie die **Celalux 3** mithilfe des Schalters am Handstück (**Abb. 11**). Das Gerät zeigt den Start eines Zyklus durch ein kurzes Vibrieren an.
- F. Nach der Aktivierung emittiert die Polymerisationslampe **Celalux 3** 20 Sekunden lang blaues Licht.
- G. Als Orientierung für den Bediener vibriert und blinkt die **Celalux 3** nach 10 Sekunden einmal, um die bisher verstrichene Aushärtungsdauer zu signalisieren.
- H. Um die Aushärtung manuell anzuhalten oder den Aushärtungszyklus zu unterbrechen, drücken Sie ein zweites Mal auf den Schalter am Handstück (**Abb. 13**). Nach 20 Sekunden stoppt das Licht automatisch, ein langes Vibrieren zeigt das Ende des Zyklus an.
- I. Wenn der Akku vollständig entladen ist, blinkt/vibriert die **Celalux 3** fünfmal schnell hintereinander. Tauschen Sie den Akku aus und setzen Sie die Behandlung fort. Setzen Sie den entladenen Akku erst nach entsprechender Reinigung und Desinfektion in die Ladestation ein.
- J. Passen Sie den Lichtwinkel gegebenenfalls an, indem Sie das Gerät wie einen Stift zwischen den Fingern rollen oder den Lichtleiter drehen.
- K. Um ein optimales Aushärtungsergebnis zu erzielen, sollte die Spitze des Lichtleiters so nah wie möglich an den Dentalwerkstoff herangebracht werden, ohne diesen dabei zu berühren.

- L. Bei längerem Betrieb kann das **Celalux 3**-Handstück warm werden. Das ist ganz normal. Nach 10 direkt aufeinanderfolgenden Polymerisationszyklen à 20 Sekunden muss deshalb als Überhitzungsschutz eine 3 minütige Pause eingelegt werden. Ein 4-faches Vibrationsignal bedeutet, dass zu viele aufeinander folgende Polymerisationszyklen durchgeführt wurden. Nach 3 Minuten Pause ist die **Celalux** wieder einsatzbereit.
- M. So prüfen Sie die Lichtleistung mit dem integrierten Radiometer: Setzen Sie das gereinigte Ende des Lichtleiters mit waagrecht ausgerichteter Lichtaustrittsfläche auf das Sensorfenster und aktivieren Sie einen Aushärtungszyklus. Wenn die Lichtabgabe für eine Behandlung innerhalb der normalen Aushärtungszeit ausreicht, leuchtet die LED grün. Bei verminderter Lichtleistung leuchtet die LED rot. Weitere Hinweise hierzu finden Sie im Abschnitt „Fehlerbehebung“. Sobald Sie die Auswertung haben, können Sie den Zyklus anhalten. Das Radiometer funktioniert nur, wenn die Ladestation an die Netzversorgung angeschlossen ist.
- N. Drehen Sie den Akku nach Abschluss der Behandlung, oder wenn das Gerät nicht verwendet wird, in die Position „Off“ oder nehmen Sie ihn aus dem Gerät heraus und setzen ihn in die Ladestation ein. Das verlängert die Akkulebenszeit.



1. Montieren Sie vor dem Gebrauch von der **Celalux 3** den Blendschutz auf den Lichtleiter und verwenden Sie eine UV-Schutzbrille.
2. Schauen Sie nicht in das aktivierte Aushärtungslicht. Dies kann zu Augenschäden führen. Risikogruppe 2 – Achtung: Dieses Produkt kann eine möglicherweise gefährliche optische Strahlung emittieren.
3. Verwenden Sie **Celalux 3** nur, nachdem sie das entsprechende Hygieneverfahren durchlaufen hat.
4. Platzieren Sie das **Celalux 3**-Handstück, den Lichtleiter und den entladenen Akku immer erst nach der Reinigung und Desinfektion auf die Ladestationen.

4. Empfehlungen zu Dentalwerkstoffen

Im Allgemeinen wurde **Celalux 3** zur Aushärtung von Dentalwerkstoffen entwickelt, die bei blauem Licht (450–480 nm) und einer Aushärtungszeit von 10–20 Sekunden aushärten. Zu diesen Dentalwerkstoffen gehören Füllungsmaterial, Haftvermittler und Adhäsive, Basispasten, Liner, Fissurenversiegler, bestimmte provisorische Materialien und Befestigungsmaterialien für Brackets sowie Labormaterialien wie Keramik-Inlays. Allerdings sollten die Anweisungen des Herstellers für die jeweiligen lichterhärtenden Dentalwerkstoffe eingehalten werden.

5. Hygiene

5.1. Vor der Behandlung

- Überprüfen Sie die Lichtleistung regelmäßig mithilfe des Radiometers und inspizieren Sie den Lichtleiter auf mögliche Verschlässe.
- Achten Sie darauf, dass der Blendschutz korrekt auf dem Lichtleiter angebracht ist.
- Stellen Sie das zahnmedizinische Personal und den Patienten mit einem entsprechenden Augenschutz aus (Licht-, Infektionsschutz).
- Berücksichtigen Sie die gesundheitlichen Bedürfnisse und eine mögliche Lichtempfindlichkeit des Patienten und legen Sie die entsprechenden Vorsichtsmaßnahmen fest.
- Legen Sie das **Celalux 3**-Handstück an eine während der Behandlung gut erreichbare Stelle.



1. Montieren Sie vor dem Gebrauch den Blendschutz aus Gummi auf den Lichtleiter und verwenden Sie eine UV-Schutzbrille.
2. Verwenden Sie die **Celalux 3** nur, nachdem sie das entsprechende Hygieneverfahren durchlaufen hat.

5.2. Während der Behandlung

- Platzieren Sie das **Celalux 3**-Handstück, den Lichtleiter und den entladenen Akku immer erst nach der Reinigung und Desinfektion auf die Ladestationen.
- Verwenden Sie **Celalux 3** nicht als Geweberetraktor oder zum Manipulieren von Zunge und/oder Wangen.



1. Verwenden Sie die **Celalux 3** nur, nachdem sie das entsprechende Hygieneverfahren durchlaufen hat.
2. Platzieren Sie das **Celalux 3**-Handstück, den Lichtleiter und den entladenen Akku immer erst nach der Reinigung und Desinfektion auf die Ladestationen.

5.3. Nach der Behandlung

- Entsorgen Sie die Untersuchungshandschuhe und desinfizieren Sie Ihre Hände mit einer bakteriziden, viruziden und fungiziden Handdesinfektionslösung gemäß den lokalen Vorschriften. Verwenden Sie die Desinfektionslösung gemäß den Herstelleranweisungen. Ziehen Sie ein neues, sauberes Paar Untersuchungshandschuhe an, wenn Sie die **Celalux 3** reinigen und desinfizieren.
- Entfernen Sie den Blendschutz. Reinigen und desinfizieren Sie diesen separat.
- Reinigen Sie die **Celalux 3** von Keimen.
- Desinfizieren Sie das Gerät mit einer alkoholischen Flüssigkeit, indem Sie alle Komponenten von der **Celalux 3** außen abwischen. Verwenden Sie zum Abwischen ein Einmaltuch. Gerät nicht eintauchen und darauf achten, dass die Kontakte der Akkus nicht nass werden. Achten Sie weiterhin darauf, dass keine Flüssigkeiten in das Handstück eindringen.
- Wenn die **Celalux 3** von außen gereinigt und desinfiziert wurde, kann der Akku entnommen werden.
- Der Lichtleiter kann nach der Reinigung und Desinfektion ebenfalls abmontiert werden. Der Lichtleiter und der Blendschutz kann nun mittels eines validierten Sterilisationsverfahrens bei einer Höchsttemperatur von 134 °C und für eine Dauer von

maximal 20 Min. autoklaviert werden. Führen Sie eine Sterilisation gemäß DIN EN 17665-1:2006 und DIN EN 556-1:2001 für mindestens 3 Min. durch und verwenden Sie Dampfsterilisatoren, die die Anforderungen von DIN EN 13060:2004+A2:2010, Klasse B oder S, erfüllen.

- Setzen Sie die **Celalux 3** und den Akku nach der Reinigung und Desinfektion in die Ladestation. Entfernen Sie den Akku aus dem Gerät, wenn dieses nicht in Gebrauch ist.
- Achten Sie darauf, dass Sie die Akkus nur im entladenen Zustand bei den Rücknahmestellen abgeben bzw. dass Sie Vorsorge gegen Kurzschlüsse treffen (z.B. Isolieren der Pole).



1. Verwenden Sie die **Celalux 3** nur, nachdem sie das entsprechende Hygieneverfahren durchlaufen hat.
2. Platzieren Sie das **Celalux 3**-Handstück, den Lichtleiter und den entladenen Akku immer erst nach der Reinigung und Desinfektion auf die Ladestationen.
3. Desinfizieren Sie das Gerät mit einer alkoholischen Flüssigkeit, indem Sie alle Komponenten von **Celalux 3** außen abwischen. Tauchen Sie das Gerät nicht in Flüssigkeit und achten Sie darauf, dass die Kontakte des Akkus nicht nass werden. Die Kontakte sollten immer trocken sein, damit ein einwandfreier Betrieb gewährleistet ist.
4. Wenn die **Celalux 3** von außen gereinigt und desinfiziert wurde, kann der Akku entnommen werden.
5. Die Akkus und das Handstück dürfen nicht autoklaviert werden!!

6. Allgemeine Pflege und Wartung

- Überprüfen Sie die **Celalux 3** regelmäßig auf Beschädigungen und senden Sie sie gegebenenfalls zur Reparatur ein.
- Überprüfen Sie die Lichtleistung mithilfe des integrierten Radiometers.
- Die Oberfläche der Ladestation kann mit einem milden Reinigungsmittel oder einer Desinfektionslösung auf Alkoholbasis gereinigt werden. Um Kratzer auf den Kunststoffoberflächen zu vermeiden, sollten Sie immer ein weiches, fusselfreies Tuch verwenden.

6.1. Akkupflege

- Wie bei allen Akkus lässt die Leistung im Laufe der Produktlebenszeit nach. Akkus sind, langfristig gesehen, Verbrauchsmaterialien. Dies liegt an der chemischen Reaktion, die im Inneren des Akkus stattfindet. Öffnen Sie die Akkus niemals. Wenn ein Akku durch einen neuen Akku ersetzt werden soll, liegt im Ermessen des Anwenders.
- Wenn die **Celalux 3** nicht in Gebrauch ist, sollten die Akkus auf der an eine aktive Netzsteckdose angeschlossenen Ladestation verbleiben, um eine maximale Betriebszeit zu gewährleisten.
- Die Akkukontakte müssen in der Regel nicht gereinigt werden und müssen unbedingt trocken gehalten werden.
- Im Lieferumfang des Geräts sind zwei Akkus enthalten. Die **Celalux 3** und die Akkus sollten nicht im normalen Hausmüll entsorgt werden. Entsorgen Sie das Gerät und die Akkus aus Gründen des Umweltschutzes bitte gemäß den lokalen Umweltrichtlinien oder -bestimmungen.



1. Die Akkukontakte müssen in der Regel nicht gereinigt werden und müssen unbedingt trocken gehalten werden.
2. Öffnen oder verändern Sie die Akkus niemals.
3. Halten Sie die Akkus von Wärmequellen und Feuer fern.

6.2. Reparaturservice

- A. Informieren Sie den technischen Service Ihres lokalen Dentallieferanten über den Gerätedefekt und den Reparaturbedarf.
- B. Packen Sie alle Komponenten von der **Celalux 3** in einen stabilen Karton geschützt mit geeignetem Verpackungsmaterial; legen Sie Ihren Namen, Ihre Anschrift und eine kurze Beschreibung des Problems bei. Wichtig: Legen Sie eine Kopie des Kaufnachweises (z. B. Rechnung, Lieferschein) in das Paket ein, wenn noch Garantie auf die **Celalux 3** besteht.
- C. Senden Sie das Paket über einen zuverlässigen Post-/Versanddienstleister an Ihren Dentallieferanten vor Ort.

7. Fehlerbehebung

Falls Sie Bedenken bezüglich der Sicherheit des Geräts haben, entfernen Sie den Netzstecker und den Akku, um einen unbeabsichtigten Betrieb zu vermeiden. Dies kann der Fall sein, wenn das Gerät beispielsweise sichtbar beschädigt ist oder nicht mehr ordnungsgemäß funktioniert.

Symptom	Maßnahme
Gerät lässt sich nicht einschalten („On“-Modus).	<ol style="list-style-type: none"> 1. Überprüfen Sie, ob der Akku korrekt eingelegt ist und sich in der Position „On“ befindet. 2. Tauschen Sie den Akku aus bzw. laden Sie ihn auf.
Das Radiometer leuchtet rot oder das Licht funktioniert, aber das Material härtet nicht aus.	<ol style="list-style-type: none"> 1. Überprüfen Sie, ob der Lichtleiter korrekt montiert, sauber und frei von Schäden ist. Reinigen Sie beide Endflächen vorsichtig mit Alkohol und einem Reinigungswerkzeug aus Holz oder Kunststoff. Verwenden Sie keine harten oder metallischen Reinigungswerkzeuge. 2. Tauschen Sie den Lichtleiter aus, wenn dieser beschädigt ist oder trüb erscheint. 3. Wenden Sie sich an Ihren Händler für weitere technische Unterstützung.

Das Instrument kommuniziert die normalen oder speziellen Betriebsmodi über verschiedene Vibrationssignale.

Vibrationssignal	Erläuterung
1 x	Ein Aushärtungszyklus von 20 Sekunden hat begonnen.
1 kurzes Signal	10 Sekunden sind seit Beginn des Aushärtens vergangen.
1 x	Ein Aushärtungszyklus von 20 Sekunden ist beendet.
2 x	Ein Aushärtungszyklus wurde vor Ablauf der 20 Sekunden unterbrochen.
3 x	Die Innentemperatur des Handstücks ist zu hoch. Lassen Sie das Gerät einige Minuten abkühlen, ehe Sie es erneut in Gebrauch nehmen.
4 x	Es wurden zu viele aufeinander folgende Aushärtungszyklen durchgeführt. Es ist eine kurze Pause erforderlich.
5 x	Die Akkuleistung ist gering, der Akku muss aufgeladen werden.

8. Konformität

8.1. Konformitätserklärung

Hiermit erklärt VOCO, dass das auf dem Dentalmarkt eingeführte Design, der Aufbau und Typ des in diesem Handbuch beschriebenen Geräts den relevanten Sicherheits- und Gesundheitsschutzbestimmungen der EU-Richtlinie entsprechen. Diese Erklärung verliert ihre Gültigkeit, sobald das Gerät ohne vorherige Genehmigung durch VOCO verändert wird.

Hiermit bestätigt VOCO, dass das Gerät **Celalux 3** der Richtlinie 93/42 EG und den Normen IEC 60601-1 und IEC 60601 entspricht.

8.2. EMV-Tabellen

Siehe Anhang 1

8.3. Zertifizierungen

93/42/EWG Richtlinie 93/42/EWG des Rats über Medizinprodukte, abgeändert durch die Richtlinie 2007/47/EG, Anhang 1

9. Technische Daten

Im Lieferumfang des Geräts sind zwei Akkus enthalten. Die **Celalux 3** und die Akkus sollten nicht im normalen Hausmüll entsorgt werden. Entsorgen Sie das Gerät und die Akkus aus Gründen des Umweltschutzes bitte gemäß den lokalen Umweltrichtlinien oder -bestimmungen.

Instrument Celalux 3

Produktklassifizierung	Klasse I gemäß Regel 12 der Richtlinie 93/42/EWG
Anwendungsteil	Typ BF
Lichtquelle	Hochleistungs-Leuchtdiode
Wellenlänge	450–480 nm mit Peak bei 465 nm
Durchschnittliche Lichtleistung	1.300 mW/cm ²
Betrieb	Intermittierender Betrieb, 10 Zyklen zu je 20 Sek. / 3 Minuten Pause
Schutzart	IP X0
Lichtleiter	D 8 mm Glasfaser, (autoklavierbar bei max. 134 °C, max. 20 Minuten)
Akku	Lithium-Polymer-Akku, wiederaufladbar, 3,7 V; 270 mAh
Akkuleistung	> 45 Zyklen zu je 20 Sek.
Abmessungen	D 12,6 mm x L 210 mm
Gewicht	70 g (inkl. Akku und Lichtleiter)

Ladestation

Eingangsspannung	6 V DC, < 1 A
Funktion	zeitgleiches, automatisches Laden von zwei Akkus, mit Überladungsschutz
Radiometer	integriert, optische Anzeige der Lichtleistung, Grün/Rot – ausreichend/unzureichend für eine effektive Behandlung
Abmessungen	L 160 mm x B 90 mm x H 35 mm
Gewicht	170 g

AC-Netzspannung

Eingangsspannung	100–240 V AC, 50/60 Hz, 0,5 A
Ausgangsspannung	6 V DC/1 A
Schutzklasse	Klasse II, doppelt/verstärkt isolierte Betriebsmittel
Stecker	Austauschbarer Wandstecker-Adapter

Allgemeines

Umgebungsbedingungen	Nicht in der Nähe von entflammbarem Gas verwenden
Betriebsbedingungen	10–30 °C
Lagerung und Transport	-20–45 °C, 10–95 % Luftfeuchtigkeit, 50–106 kPa Luftdruck

10. Garantie

VOCO gewährt eine 24-monatige Garantie auf alle Komponenten von **Celalux 3** mit Ausnahme der Akkus und des Lichtleiters. Die Garantie beginnt mit dem Kaufdatum.

Innerhalb des Garantiezeitraums behebt VOCO sämtliche Defekte von **Celalux 3** und des **Celalux 3**-Zubehörs, die auf Material- oder Verarbeitungsfehler zurückzuführen sind, kostenlos. VOCO behält sich das Recht vor, Teile zu reparieren oder auszutauschen oder das gesamte Gerät auszutauschen. Folgendes wird nicht von der Garantie abgedeckt: Schäden, die sich aus der unsachgemäßen Nutzung ergeben (z. B. Betrieb mit falscher Stromversorgung/Spannung, Bruch, Reinigung auf andere als die empfohlene Art und Weise); normale Abnutzung und Defekte, die sich nur geringfügig auf den Wert oder Betrieb des Geräts auswirken. Diese Garantie wird nichtig, wenn Reparaturen von nicht autorisierten

Personen vorgenommen werden.

Diese Garantie gilt für jedes Land, in dem das Gerät von VOCO oder einem autorisierten Vertreter von VOCO-Produkten vertrieben wird, und in dem der im Rahmen der Garantie gewährleistete Service nicht durch Importbeschränkungen oder rechtliche Bestimmungen unterbunden wird. Der im Rahmen dieser Garantie gewährleistete Service hat keinerlei Auswirkungen auf das Ablaufdatum der Garantie. Die Garantie auf Teile oder ganze Geräte, die ausgetauscht werden, endet mit dem Ablaufdatum der Garantie für das Original-Gerät.



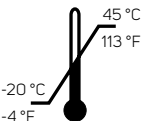
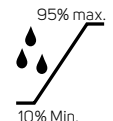
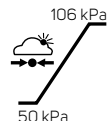
Im Falle eines Reklamationsanspruchs bezüglich des Geräts senden Sie das vollständige **Celalux 3**-Gerät (Ladestation, Handstück, Akkus und Lichtleiter) zusammen mit einem Kaufbeleg (z. B. Rechnung) an Ihren Händler zurück.

Alle sonstigen Ansprüche, einschließlich solcher auf Schäden, die sich aus dieser Garantie ergeben, sind ausgeschlossen, sofern unsere Haftung nicht gesetzlich zwingend ist. Mit Ausnahme von Fällen, in denen dies gesetzlich untersagt ist, ist VOCO nicht für Verluste oder Schäden haftbar, die sich aus diesem Produkt ergeben, seien es direkte, indirekte, konkrete, beiläufige oder Folgeschäden, ungeachtet der gesetzlich geltenden Theorie, einschließlich Garantie, Vertrag, Fahrlässigkeit oder verschuldensunabhängiger Haftung.



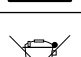



11. Informationen zur Nachbestellung

Zubehör	Bestellnummer
LED-Polymerisationslampe Celalux 3	9090
8-mm-Lichtleiter	9091
Akku	9092
Blendschutz (5 St.)	9093

12. Informationen zu Lagerung und Transport

				
Trocken aufbewahren	Zerbrechlich, mit Sorgfalt handhaben	Temperaturbegrenzung 45 °C / 113 °F -20 °C / -4 °F	Luftfeuchte Begrenzung 95% max. 10% Min.	Luftdruck Begrenzung 106 kPa 50 kPa

13. Legende

	Erfüllt die Bestimmungen der Richtlinie 93/42/EWG.
	Achtung: Bitte beachten Sie die dem Produkt beigelegte Dokumentation.
	Dieses Symbol verweist auf die gesonderte Entsorgung elektrischer und elektronischer Geräte in EU-Ländern. Gerät bitte nicht im Haushaltsmüll entsorgen. Informieren Sie sich beim Recycling- oder Entsorgungszentrum Ihrer Gemeinde oder bei Ihrem Händler über die fachgerechte Entsorgung in Ihrem Land. Bitte entsorgen Sie das Gerät fachgerecht.
	Dieses Symbol zeigt, dass ein Produkt oder Instrument (hier: die Celalux 3 -Lichtleiter und der Blendschutz) bei der angegebenen Temperatur (134 °C) sterilisiert werden kann.
	Gebrauchsanweisung beachten.
	Warnsymbol: Hochintensive optische Strahlung (LED)

14. Kontaktinformation

- Bitte kontaktieren Sie bei Problemen VOCO telefonisch oder schreiben Sie uns eine E-Mail.

Anhang 1

Leitlinien und Herstellererklärung – Elektromagnetische Aussendungen

EN 60601-1-2/Tabelle 201
Gerätegruppe 1 und Klasse B; nach CISPR 11

Die Celalux 3 ist für den Betrieb in der unten angegebenen elektromagnetischen Umgebung bestimmt. Der Kunde oder Anwender von der Celalux 3 sollte sicherstellen, dass das Gerät in einer solchen Umgebung betrieben wird.		
HF-Aussendungen nach – CISPR 11	Gruppe 1	Die Celalux 3 verwendet HF-Energie ausschließlich zu seiner internen Funktion. Daher sind die HF-Emissionen sehr gering und es ist unwahrscheinlich, dass benachbarte Geräte gestört werden.
RF emissions CISPR 11	Klasse B	Die Celalux 3 ist für die Verwendung in allen Einrichtungen bestimmt, einschließlich Wohnbereichen und solchen, die direkt an das öffentliche Niederspannungs-Stromversorgungsnetz angeschlossen sind, das auch Gebäude versorgt, die für Wohnzwecke genutzt werden.
Aussendung von Oberschwingungen nach IEC 61000-3-2	Stimmt überein	
Aussendungen von Spannungsschwankungen/ Flicker nach IEC 61000-3-3		

Leitlinien und Herstellererklärung – Elektromagnetische Störfestigkeit

EN 60601-1-2 / Tabelle 202

Die Celalux 3 ist für den Betrieb in der unten angegebenen elektromagnetischen Umgebung bestimmt. Der Kunde oder Anwender von Celalux 3 sollte sicherstellen, dass Celalux 3 in einer solchen Umgebung benutzt wird.			
Störfestigkeitsprüfungen	IEC 60601 Prüfpegel	Konformität	Elektromagnetische Umgebung – Leitlinien
Elektro-statische Entladungen (ESD) nach IEC 61000-4-2	±6 kV Kontaktentladung ±8 kV Luftentladung	Das Gerät arbeitet weiterhin regulär und sicher	Fußböden sollten aus Holz oder Beton bestehen oder mit Keramikfliesen versehen sein. Wenn der Fußboden mit synthetischem Material versehen ist, muss die relative Luftfeuchte mindestens 30 % betragen.
Gestrahlte HF-Störgrößen nach IEC 61000-4-3	3 V/m 80 MHz bis 2,5 GHz	Das Gerät arbeitet weiterhin regulär und sicher.	Die Feldstärken stationärer Sender können theoretisch nicht genau vorbestimmt werden. Um die elektromagnetische Umgebung hinsichtlich der stationären Sender zu ermitteln, sollte eine Studie des Standorts erwogen werden.
Schnelle transiente elektrische Störgrößen/ Bursts nach IEC 61000-4-4	±2 kV für Versorgungsleitungen ±1 kV für Eingangs-/Ausgangsleitungen	Das Gerät arbeitet weiterhin regulär und sicher.	Die Qualität der Versorgungsspannung sollte der einer typischen Geschäfts- oder Krankenhausumgebung entsprechen.
Stoßspannungen nach IEC 61000-4-5	±1 kV Gegentaktspannung ±2 kV Gleichtaktspannung	Das Gerät arbeitet weiterhin regulär und sicher.	
Geleitete HF-Störgrößen nach IEC 61000-4-6	3 Veff 150 kHz bis 80 MHz	Das Gerät arbeitet weiterhin regulär und sicher.	Tragbare und mobile Funkgeräte sollten in keinem geringeren Abstand zu der Celalux 3 einschließlich Leitungen verwendet werden als dem empfohlenen Schutzabstand, der nach der für die Sendefrequenz zutreffenden Gleichung berechnet wird. Empfohlene Schutzabstände ¹ : d = 1,2 √P d = 1,2 √P 80 MHz to 800 MHz d = 2,3 √P 800 MHz to 2.5 GHz
Magnetfeld bei der Versorgungsfrequenz (50/60 Hz) nach IEC 61000-4-8	3 bis 100 A/m	Das Gerät arbeitet weiterhin regulär und sicher.	Das Magnetfeld bei der Versorgungsfrequenz sollte dem einer typischen Geschäfts- oder Krankenhausumgebung entsprechen.
Spannungseinbrüche, Kurzzeitunterbrechungen und Schwankungen der Versorgungsspannung nach IEC 61000-4-11	< 5% U/10 ms 70% U/0.5 s 40% U/0.1 s	Das Gerät kann von den geforderten Immunitätsniveaus abweichen, solange es sicher bleibt; es wurden keine Fehlfunktionen entdeckt, das Gerät kann durch den Anwender auf den Status, den es vor der Prüfung hatte, zurückgesetzt werden.	Die Qualität der Versorgungsspannung sollte der einer typischen Geschäfts- oder Krankenhausumgebung entsprechen

Hinweis

1. (P) ist die maximale Nennleistung des Senders in Watt (W) laut Herstellerangaben, (d) ist der empfohlene Schutzabstand in Metern (m). Die Feldstärken stationärer HF-Sender sollten gemäß einer Untersuchung vor Ort geringer als das Übereinstimmungs-niveau in den einzelnen Frequenzbereichen (b) sein. In der Nähe von Geräten, die mit dem folgenden Symbol gekennzeichnet sind, kann es zu Interferenzen kommen:



2. Diese Leitlinien mögen nicht in allen Fällen anwendbar sein. Die Ausbreitung elektromagnetischer Größen wird durch Absorptionen und Reflexionen von Gebäuden, Gegenständen und Menschen beeinflusst. Die Feldstärke stationärer Sender, wie z. B. Basisstationen von Funktelefonen und mobilen Landfunkgeräten, Amateurfunkstationen, AM- und FM-Rundfunk- und Fernsehsendern können theoretisch nicht genau vorbestimmt werden. Wenn die gemessene Feldstärke an dem Standort, an dem die **Celalux 3** benutzt wird, die obigen Übereinstimmungspegel überschreitet, sollte die **Celalux 3** beobachtet werden, um die bestimmungsgemäße Funktion nachzuweisen. Wenn ungewöhnliche Leistungsmerkmale beobachtet werden, können zusätzliche Maßnahmen erforderlich sein, wie z. B. eine veränderte Ausrichtung oder ein anderer Standort von der **Celalux 3**.

Empfohlene Schutzabstände zwischen tragbaren und mobilen HF-Telekommunikationsgeräten und der Celalux 3

Dieses Produkt ist für eine Verwendung in einer elektromagnetischen Umgebung bestimmt, in der die gestrahlten HF-Störungen kontrolliert sind.

Der Kunde oder Anwender von der **Celalux 3** kann dadurch helfen, elektromagnetische Störungen zu vermeiden, indem er den Mindestabstand zwischen tragbaren und mobilen HF-Telekommunikationsgeräten (Sender) und der **Celalux 3** – abhängig von der Ausgangsleistung des Kommunikationsgerätes, wie unten angegeben – einhält.

Celalux 3

EN 60601-1-2 / Tabelle 206

Schutzabstand (m) abhängig von der Senderfrequenz			
Nennleistung des Senders (W)	50 kHz bis 80 MHz $d = 1,2 \times \sqrt{P_{\text{Sender}}}$	80 MHz bis 800 MHz $d = 1,2 \times \sqrt{P_{\text{Sender}}}$	800 MHz bis 2,5 GHz $d = 2,3 \times \sqrt{P_{\text{Sender}}}$
0,01	0,12	0,12	0,23
0,1	0,38	0,38	0,73
1	1,2	1,2	2,3
2	1,7	1,7	3,25
10	3,8	3,8	7,3
100	12	12	23

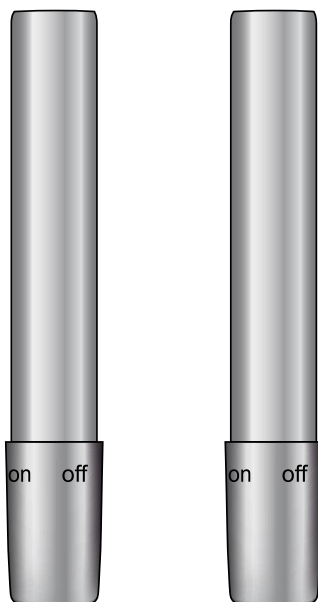
1 Pièce à main



2 Guide de lumière

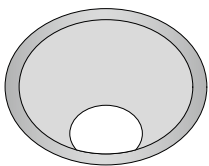


3 2 piles rechargeables

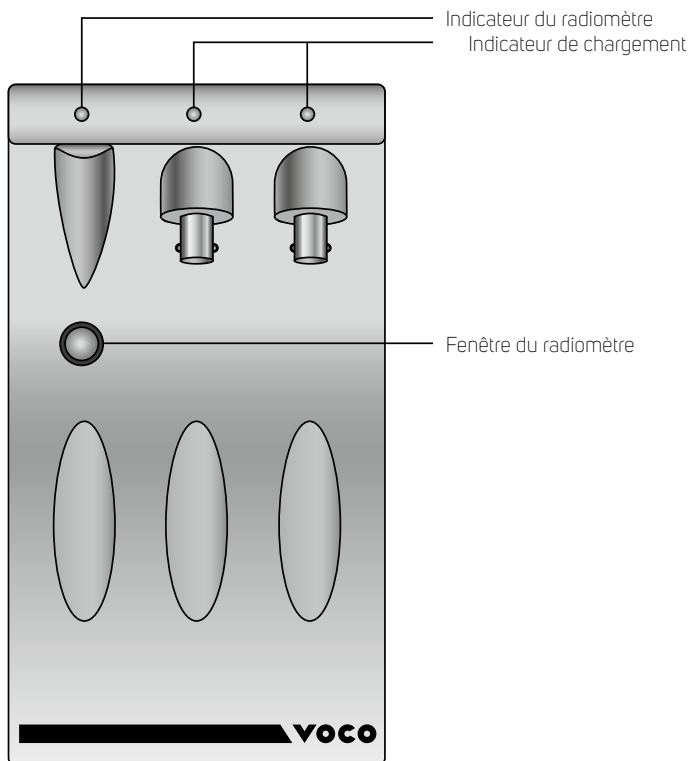


Lampe de photopolymérisation Celalux 3 • Composants

4 Capuchon antiéblouissant en caoutchouc



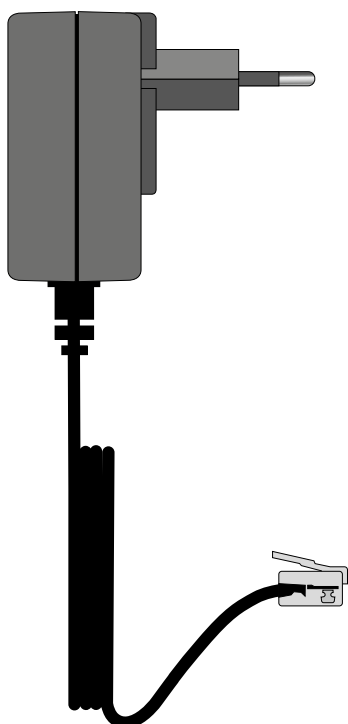
5 Chargeur



Radiomètre :

- Vert = OK
- Rouge = faible rendement

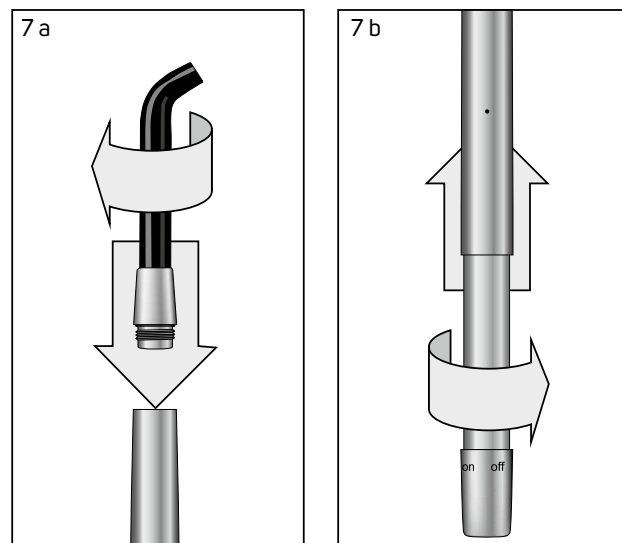
6 Câble d'alimentation



Lampe de photopolymérisation Celalux 3 • Mode d'emploi résumé :

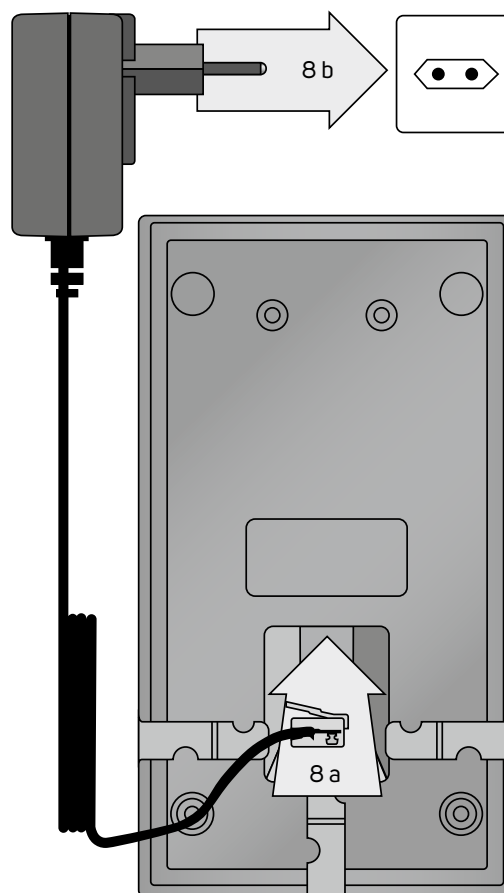
7 Pièce à main :

- Vissage du guide de lumière
- Insertion de la pile rechargeable : « insérer en tournant »



8 Chargeur :

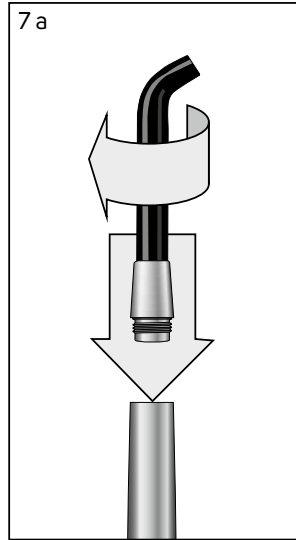
- Branchement du câble d'alimentation au chargeur
- Branchement du câble d'alimentation à la prise murale



Lampe de photopolymérisation Celalux 3 • Fonctionnement en bref

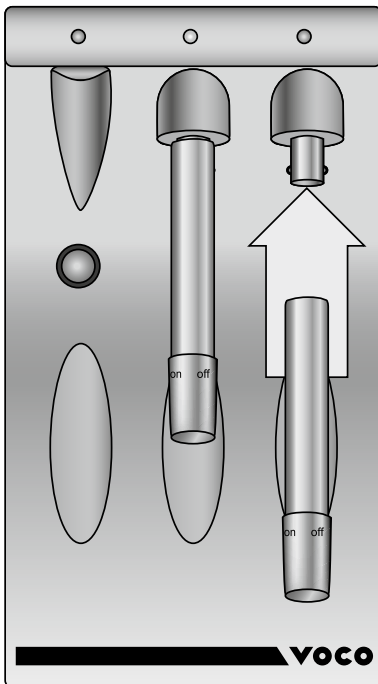
9 Pièce à main :

- Régler l'angle de répartition lumineuse
- Pour un meilleur résultat, positionner la pointe du guide de lumière près du matériau
- Vérifier que le guide de lumière est bien en place
- Vérifier et nettoyer les deux extrémités du guide de lumière pour éliminer tout dépôt ou autre obstruction
- Contrôler la fenêtre de la pièce à main



10 Chargeur :

- Pile rechargeable sur chargeur (2 étapes)
- Ne pas remettre sur le chargeur avant le nettoyage et la désinfection
- Utiliser le radiomètre régulièrement pour garantir un rendement lumineux correct
- Contrôler les indicateurs de charge des piles



Recharge :

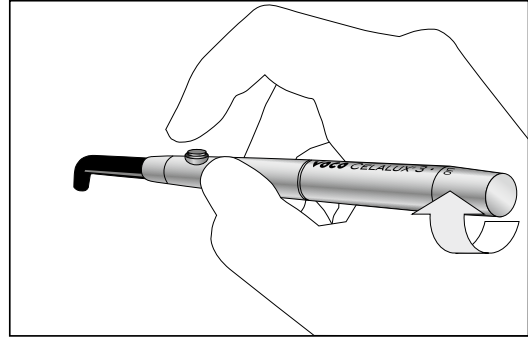
- Lumière permanente = en cours de chargement
- Lumière éteinte = pile entièrement chargée, prête à l'emploi

Radiomètre :

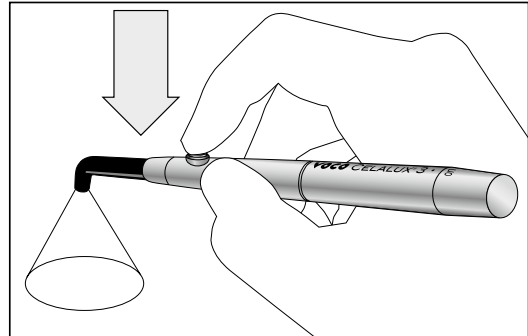
- Vert = OK
- Rouge = faible rendement

Lampe de photopolymérisation Celalux 3 • Fonctionnement en bref

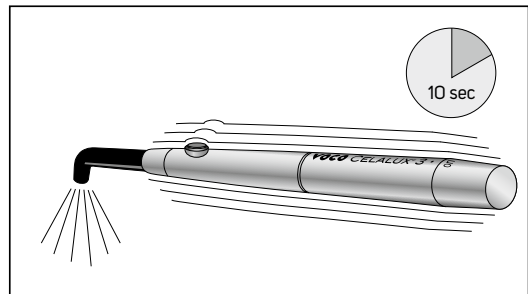
11 Pour activer Celalux 3 : mettre en marche la pièce à main



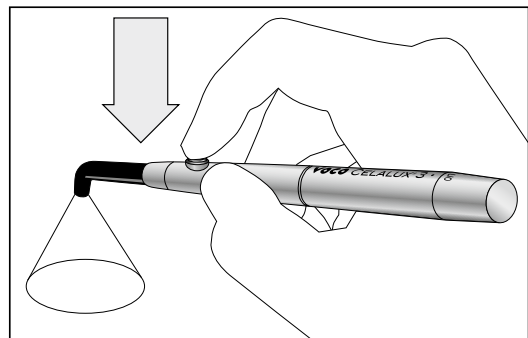
12 La lumière reste activée pendant 20 secondes : appuyer sur l'interrupteur de la pièce à main



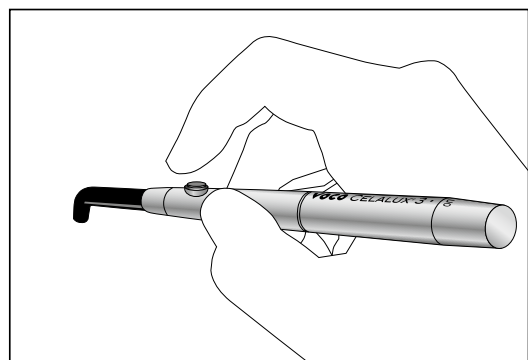
13 La pièce à main se met à vibrer et la lumière clignote au bout de 10 secondes



14 Pour éteindre la lumière immédiatement : appuyer sur le bouton de la pièce à main



15 La lumière est éteinte



CELALUX® 3

Lampe de photopolymérisation

Prudence : pour usage dentaire uniquement

États-Unis : sur prescription médicale uniquement (Rx only)

Fabriquée en Suisse

Sommaire	Page
1. Description du produit et emploi prévu.....	22
1.1. Indications.....	22
1.2. Contre-indications.....	22
2. Consignes de sécurité.....	22
2.1. Avertissements d'ordre général.....	22
2.2. Pièce à main.....	22
2.3. Chargeur.....	22
2.4. Mises en garde.....	22
3. Mode d'emploi.....	23
3.1. Obligations incombant au propriétaire.....	23
3.2. Montage.....	23
3.3. Chargement.....	23
3.4. Emploi.....	23
4. Recommandations relatives aux matériaux dentaires.....	23
5. Mesures d'hygiène.....	23
5.1. Avant le traitement du patient.....	23
5.2. Pendant le traitement du patient.....	23
5.3. Après le traitement du patient.....	23
6. Entretien et maintenance d'ordre général.....	24
6.1. Entretien des piles rechargeables.....	24
6.2. Service de réparation.....	24
7. Dépannage.....	24
8. Conformité.....	24
8.1. Déclaration de conformité.....	24
8.2. Tableaux CEM.....	24
8.3. Certifications réglementaires.....	24
9. Caractéristiques techniques.....	24
10. Garantie.....	24
11. Informations relatives aux commandes ultérieures.....	25
12. Informations relatives au stockage et au transport.....	25
13. Signification des symboles.....	25
14. Contact.....	25
Annexe 1.....	25

1. Description du produit

La lampe de photopolymérisation **Celalux 3** est un appareil à LED haute performance sans fil en forme de styilet destiné à la polymérisation de matériaux dentaires photopolymérisables activés par des longueurs d'onde se situant dans une plage de 450 nm à 480 nm. Elle est conçue pour être utilisée exclusivement dans les cabinets dentaires ou les laboratoires dentaires par des professionnels dentaires qualifiés. La lampe **Celalux 3** présente les caractéristiques suivantes :

- Rendement élevé de lumière bleue
- Faible poids, petite taille compacte, design ergonomique
- Fonctionnement sans fil avec piles rechargeables faciles à remplacer
- Recharge extrêmement rapide des piles
- Guide(s) de lumière amovible(s) à fibres optiques conçus pour un accès intrabuccal optimal
- Champ de lumière efficace pour la polymérisation de matériaux photopolymérisables
- Chargeur pratique et simple d'emploi avec piles rechargeables supplémentaires et radiomètre intégré

La lampe **Celalux 3** est livrée par le fabricant en parfait état technique et de sécurité. Respecter impérativement le présent mode d'emploi afin de garantir la performance du produit, d'assurer un fonctionnement sans risque et d'éviter toute blessure des patients et des professionnels dentaires.

1.1. Indications

La lampe de photopolymérisation **Celalux 3** est indiquée pour la polymérisation de matériaux dentaires photopolymérisables à la lumière bleue (de 450 nm à 480 nm).

1.2. Contre-indications

Ne pas utiliser la lampe de photopolymérisation **Celalux 3** sur les patients

- sujets à des réactions photobiologiques, y compris les patients atteints d'urticaire solaire ou de porphyrie erythropoïétique ;
- soumis à un traitement avec des médicaments photosensibilisants.

Il est recommandé à toute personne (utilisateur, patient, etc.) ayant des questions ou des doutes ou ayant déjà eu des problèmes de santé au niveau des yeux (p. ex. maladie de la rétine, rétinopathie, cataracte, etc.) de consulter leur ophtalmologue avant d'utiliser la lampe de photopolymérisation **Celalux 3** ou avant d'être traité avec la lampe.

2. Consignes de sécurité

La lampe **Celalux 3** est destinée uniquement à l'usage décrit dans le présent mode d'emploi. Tout autre emploi, quel qu'il soit, est considéré non conforme et engage l'entière responsabilité de l'utilisateur et du propriétaire



Symbole d'avertissement

Dans le présent mode d'emploi, ce symbole d'avertissement fournit des informations sur les risques éventuels concernant la sécurité et/ou l'intégrité corporelle. Respecter impérativement toutes les consignes de sécurité accompagnées de ce symbole.

2.1. Avertissements d'ordre général

- Ne jamais modifier la lampe de photopolymérisation **Celalux 3** ni les accessoires de la lampe **Celalux 3**. Toute modification risque de compromettre la sécurité et l'efficacité de la lampe.
- Prendre les mesures de contrôle des infections appropriées lors de l'emploi de la lampe **Celalux 3** dans la cavité buccale et suivre les mesures d'hygiène appropriées après emploi sur le patient.
- Ne pas utiliser un équipement endommagé. Vérifier régulièrement l'absence de rayure et de dommage sur la surface du guide de lumière.
- Seuls des techniciens agréés sont autorisés à réparer la lampe de photopolymérisation **Celalux 3**, les piles rechargeables et le chargeur.
- Éviter de placer la lampe **Celalux 3** ou le chargeur sur, sous, ou à proximité d'un autre équipement. Respecter une distance de sécurité par rapport aux autres appareils électriques.
- L'utilisation d'accessoires non mentionnés dans le présent mode d'emploi peut entraîner une situation dangereuse et/ou compromettre la performance du produit. Par conséquent, utiliser uniquement des accessoires autorisés par le fabricant.
- Ne pas recharger ni utiliser l'appareil à proximité de substances inflammables ou combustibles.

2.2. Pièce à main

- S'assurer que la sortie du guide de lumière n'est pas recouverte de dépôts ou d'éléments qui pourraient bloquer l'émission de lumière.
- Ne pas utiliser le guide de lumière de la lampe **Celalux 3** comme rétracteur de tissu ou comme instrument servant à manipuler la langue et/ou les joues.
- S'assurer que le capuchon antiéblouissant de la lampe **Celalux 3** est bien fixé et le vérifier régulièrement. Si nécessaire, le replacer correctement.
- Toujours nettoyer et désinfecter la pièce à main de la lampe **Celalux 3** avant de la remettre en place sur/dans le chargeur.
- Pour modifier la direction de la lumière, faire faire un tour complet à la pièce à main comme si on faisait rouler un crayon entre les doigts, ou tourner le guide de lumière indépendamment de la pièce à main.
- Si la pièce à main n'est pas utilisée, mettre la pile rechargeable en position « off » afin d'éviter toute activation accidentelle.

2.3. Chargeur

- S'assurer que l'alimentation électrique correspond bien aux exigences électriques indiquées sur le produit. Ne pas utiliser le chargeur avec des tensions autres que celles spécifiées dans le présent mode d'emploi ou indiquées sur l'équipement.
- Le chargeur et les piles rechargeables sont sous tension : ne pas les ouvrir ! Toujours utiliser l'appareil dans des conditions sèches, ne jamais l'utiliser lorsqu'il est humide.
- Installer et utiliser l'appareil uniquement sur des surfaces planes.
- Débrancher la prise du secteur (p. ex. prise murale) avant de retirer la fiche du câble d'alimentation du chargeur.
- Ne toucher le chargeur qu'avec des gants propres/désinfectés afin d'éviter toute contamination par des liquides corporels.
- Ne pas utiliser la prise d'alimentation pour des appareils autres que la lampe **Celalux 3**.

2.4. Mises en garde

- Les personnes ayant subi un traitement de la cataracte, étant sujettes à des problèmes liés à des réactions photobiologiques ou étant sous l'influence de médicaments photosensibilisants (p. ex. 8-méthoxypsoralène ou déméthyl-chlorotétracycline) peuvent être sensibles à la lumière. Ne pas traiter ces patients avec la lampe **Celalux 3**.
- Les patients ainsi que les professionnels dentaires doivent toujours prendre des mesures de sécurité appropriées. Utiliser la lampe de photopolymérisation **Celalux 3** avec le plus grand soin et respecter impérativement toutes les mesures de sécurité, y compris le port de lunettes de protection appropriées filtrant la lumière.
- Utiliser uniquement la lampe **Celalux 3** après qu'elle a eu subi une procédure d'hygiène appropriée.
- Ne pas utiliser de téléphone portable ni tout autre appareil électronique portatif en même temps que la lampe **Celalux 3**.
- Éviter de diriger la lumière vers des tissus mous non protégés. Cela peut entraîner une irritation et/ou une blessure.
- Ne pas fixer du regard la source lumineuse et éviter de diriger la lumière directement dans les yeux. Ceci, tout comme la lumière réfléchie de surfaces brillantes telles que la surface des dents, peut léser les yeux. Toujours mettre le capuchon antiéblouissant en place sur la lampe **Celalux 3** et utiliser des lunettes de protection filtrant la lumière.
- Limiter l'usage de la lampe à la zone de traitement.
- L'utilisation prolongée de toute lampe de photopolymérisation peut augmenter la température. Éviter d'utiliser la lampe au niveau de la pulpe et des tissus mous avoisinants afin d'éviter toute blessure. Interrompre régulièrement toute photopolymérisation proche ou autour de tissus sensibles.

3. Mode d'emploi

3.1. Obligations incombant au propriétaire


Outre l'obligation d'observer les dispositions légales en vigueur, le propriétaire doit veiller à ce que les exigences réglementaires soient respectées et mises en œuvre sur le lieu de travail. Le propriétaire doit, en particulier, former le personnel et se conformer aux lois en vigueur en matière de sécurité du travail et à toutes les lois et réglementations qui y sont liées.

Il incombe au propriétaire d'assurer que l'appareil **Celalux 3** est utilisé à tout moment dans des conditions de sécurité. Au moindre doute ne pas utiliser l'appareil et contacter VOOCO.

VOOCO recommande de conserver le présent mode d'emploi et tous les documents y afférents.

3.2. Montage


- Déballer avec précaution tous les composants de la lampe **Celalux 3** et se familiariser avec chacun des éléments. Vérifier que les composants sont au complet.
- A. Vérifier tout d'abord que la tension indiquée sur la plaque signalétique de la lampe **Celalux 3** est conforme à celle de la source d'alimentation électrique locale (ill. 8).
- B. Sur la face inférieure du chargeur, brancher la fiche du câble d'alimentation de type jack téléphonique (ill. 8) dans la prise correspondante.
- C. À côté de la prise du chargeur, faire passer le câble d'alimentation en-dessous des trois clips dans l'un des trois canaux de sortie (ill. 8). Le câble d'alimentation doit être bien ajusté sous les clips et éviter toute tension sur la fiche du jack téléphonique.
- D. Insérer avec précaution et visser doucement le guide de lumière sur l'extrémité frontale de la pièce à main de la lampe **Celalux 3** (douille fileté, ill. 7 et 9). Le guide de lumière tourne indépendamment de la pièce à main.
- E. Fixer le capuchon antiéblouissant sur le guide de lumière.



1. Vérifier tout d'abord que la tension indiquée sur la plaque signalétique de la lampe **Celalux 3** corresponde à celle de la source d'alimentation électrique locale.
2. Placer le chargeur sur une surface horizontale stable, à au moins 1,5 m du patient !
3. Fixer le capuchon antiéblouissant sur le guide de lumière.

3.3. Chargement

- A. Charger entièrement les deux piles rechargeables avant la toute première utilisation. Insérer les piles dans les raccords de chargement du chargeur (ill. 10).
- B. En cas de résistance, pousser la pile rechargeable pour la bloquer (ill. 7). Un voyant vert sur le chargeur indique que le chargement est en cours.
- C. Le voyant vert s'éteint dès que le chargement des piles est terminé.
- D. Lorsque la lampe **Celalux 3** n'est pas utilisée, laisser les piles rechargeables dans le chargeur afin de garantir une durée de fonctionnement maximale des piles.
- E. Des piles entièrement déchargées se rechargent complètement en une heure environ. Une pile rechargeable entièrement chargée permet d'effectuer environ 45 cycles avec la lampe **Celalux 3**.




1. Ne jamais autoclaver les piles rechargeables !
2. Ces piles n'ont pas de mémoire et doivent rester si possible toujours en place sur le chargeur.
3. Utiliser uniquement le chargeur compris dans la livraison pour recharger les piles.
4. N'insérer aucun objet métallique dans l'extrémité ouverte de la pile, ceci risquant de provoquer un court-circuit.
5. Pour un fonctionnement correct, veiller à ce que les contacts des piles soient secs.

3.4. Emploi

- A. Insérer avec précaution une pile rechargeable dans l'extrémité arrière de la pièce à main de la lampe **Celalux 3** (ill. 7). La pile s'enclenche automatiquement en position « Off » (ill. 7).
- B. Lorsque l'on rencontre une résistance, pousser la pile entièrement au fond du manche (ill. 7). Un clic est audible lorsque la pile rechargeable est complètement insérée et correctement mise en place dans la pièce à main de la lampe **Celalux 3**.
- C. Tourner la pile rechargeable d'un quart de tour, dans n'importe quelle direction, pour la mettre dans la position « On ». Une brève lumière bleue s'allume pour signaler que l'appareil est correctement branché.
- D. Une fois la pièce à main et la pile rechargeable en position « On », la lampe **Celalux 3** peut être activée via le bouton (ill. 11).
- E. Activer la lampe **Celalux 3** en appuyant sur le bouton de la pièce à main (ill. 11). L'instrument indique le démarrage du cycle en vibrant brièvement.
- F. Une fois activée, la lampe de photopolymérisation **Celalux 3** émet une lumière bleue pendant 20 secondes.
- G. Après 10 secondes, la lampe **Celalux 3** vibre et clignote une fois pour signaler le temps de la photopolymérisation comme orientation.
- H. Pour arrêter manuellement la photopolymérisation ou interrompre le cycle de photopolymérisation, appuyer une seconde fois sur le bouton de la pièce à main (ill. 13). Au bout de 20 secondes, la lumière s'éteint automatiquement et une longue vibration indique la fin du cycle.
- I. Si la pile rechargeable est entièrement déchargée, la lampe **Celalux 3** clignote/vibre 5 fois de suite à brefs intervalles. Remplacer la pile rechargeable et continuer la procédure. Ne jamais placer la pile rechargeable entièrement déchargée dans le chargeur avant de l'avoir correctement nettoyée et désinfectée.
- J. Si nécessaire, ajuster l'angle de répartition lumineuse en faisant « rouler » la pièce à main comme un crayon entre vos doigts ou en tournant le guide de lumière.
- K. Pour un résultat de photopolymérisation optimal, positionner l'extrémité du guide de lumière le plus près possible du matériau dentaire, sans toutefois le toucher.
- L. La pièce à main de la lampe **Celalux 3** peut chauffer quelque peu en cas de fonctionnement prolongé. Ceci est normal. Après 10 cycles de polymérisation consécutifs de

20 secondes une pause de 3 minutes doit être observée. Quatre vibrations consécutives signifient qu'un nombre trop important en cycles de polymérisation successifs aura été effectué. Après une pause de 3 minutes la **Celalux 3** est à nouveau prête à l'emploi.

- M. Pour contrôler le rendement lumineux à l'aide du radiomètre intégré, placer l'extrémité nettoyée du guide de lumière sur la fenêtre du capteur avec la surface de sortie de lumière à l'horizontale, puis activer le cycle de photopolymérisation. La LED avoisinante s'allume en vert si le rendement lumineux est prêt à photopolymériser dans le temps de photopolymérisation normal. Si une LED rouge s'allume, cela indique que le rendement lumineux est réduit. Dans ce cas, se reporter au paragraphe « Dépannage ». Arrêter le cycle une fois la mesure obtenue. Le radiomètre ne fonctionne que si le chargeur est connecté à l'alimentation électrique.
- N. Après le traitement ou si l'instrument n'est pas utilisé, remettre la pile rechargeable en position « Off » ou la retirer de l'instrument pour la recharger. Cela est important pour la durée de vie de la pile.



1. Avant d'utiliser la lampe **Celalux 3**, fixer le capuchon antiéblouissant sur le guide de lumière et utiliser un dispositif de protection filtrant la lumière (p. ex. des lunettes).
2. Ne pas regarder la lumière pendant la photopolymérisation. Cela pourrait léser les yeux. Risque du groupe 2, prudence : le rayonnement optique émis par ce produit peut être dangereux.
3. Utiliser la lampe **Celalux 3** uniquement si elle a subi un traitement d'hygiène adéquat.
4. Ne jamais placer la pièce à main de la lampe **Celalux 3**, le guide de lumière ou les piles rechargeables entièrement déchargées tant qu'ils n'ont pas été nettoyés et désinfectés.

4. Recommandations relatives aux matériaux dentaires


De manière générale, la lampe **Celalux 3** est conçue pour un temps de photopolymérisation de 10 à 20 secondes avec des matériaux dentaires photopolymérisables à la lumière bleue (de 450 nm à 480 nm).

Ces matériaux incluent les matériaux d'obturation, les agents de pontage et les adhésifs, les bases, les fonds protecteurs, les matériaux de scellement de fissures, certains matériaux provisoires et matériaux de fixation pour crochets ainsi que les matériaux pour laboratoires dentaires tels que les inlays céramiques. Les instructions du fabricant relatives aux matériaux dentaires photopolymérisants spéciaux doivent toutefois être respectées.

5. Mesures d'hygiène

5.1. Avant le traitement du patient


- Contrôler régulièrement le rendement lumineux à l'aide du radiomètre et vérifier que le guide de lumière n'est pas obstrué.
- Vérifier que le capuchon antiéblouissant est correctement fixé sur le guide de lumière.
- Équiper le personnel dentaire et le patient d'un dispositif de protection approprié pour les yeux (filtration de la lumière, protection contre les infections).
- Tenir compte des exigences du patient en ce qui concerne sa santé et une éventuelle hypersensibilité à la lumière, et déterminer les mesures de précaution appropriées à prendre.
- Pour le traitement, placer la pièce à main de la lampe **Celalux 3** dans un endroit approprié facilement accessible.



1. Avant le traitement, fixer le capuchon antiéblouissant en caoutchouc sur le guide de lumière et utiliser un dispositif de protection oculaire filtrant la lumière (p. ex. lunettes).
2. Utiliser uniquement la lampe **Celalux 3** une fois le traitement d'hygiène approprié terminé.

5.2. Pendant le traitement du patient

- Ne jamais placer la pièce à main de la lampe **Celalux 3**, le guide de lumière ou les piles rechargeables entièrement déchargées dans le chargeur tant qu'ils n'ont pas été nettoyés et désinfectés.
- Ne pas utiliser la lampe **Celalux 3** comme rétracteur de tissu pour manipuler la langue et/ou les joues.



1. Utiliser uniquement la lampe **Celalux 3** une fois le traitement d'hygiène approprié terminé.
2. Ne jamais placer la pièce à main de la lampe **Celalux 3**, le guide de lumière ou les piles rechargeables entièrement déchargées dans le chargeur tant qu'ils n'ont pas été nettoyés et désinfectés.

5.3. Après le traitement du patient

- Jeter les gants d'examen conformément aux réglementations locales et se désinfecter les mains à l'aide d'une solution désinfectante bactéricide, virucide et fongicide. Observer le mode d'emploi du fabricant de la solution désinfectante. Utiliser une nouvelle paire de gants d'examen propres pour nettoyer et désinfecter la lampe **Celalux 3**.
- Retirer le capuchon antiéblouissant. Le nettoyer et le désinfecter séparément.
- Éliminer les germes de la lampe **Celalux 3**.
- Désinfecter avec un liquide à base d'alcool en essuyant tout l'extérieur des composants de la lampe **Celalux 3**. Pour cela, utiliser une lingette à usage unique pour essuyer l'appareil. Ne pas immerger l'appareil dans du liquide et éviter de mouiller les contacts de la pile. Faire en sorte qu'aucun liquide ne s'infilte dans la pièce à main.
- Une fois l'extérieur de la lampe **Celalux 3** nettoyé et désinfecté, retirer la pile rechargeable.
- Retirer le guide de lumière après le nettoyage et la désinfection. Le guide de lumière peut à présent être autoclavé au moyen d'un processus de stérilisation valide à une température maximale de 134 °C pendant 20 minutes maximum. Effectuer la stérilisation conformément aux normes EN 17665-1:2006 et EN 556-1:2001 à 134 °C pendant au moins 3 minutes, et utiliser des stérilisateurs à vapeur qui répondent aux exigences de la norme EN 13060:2004+A2:2010, classe B ou S.
- Après le nettoyage et la désinfection, placer la lampe **Celalux 3** et la pile rechargeable dans le chargeur. Ne pas laisser la pile dans l'instrument s'il n'est pas utilisé.



1. Utiliser uniquement la lampe **Celalux 3** une fois le traitement d'hygiène approprié terminé.
2. Ne jamais placer la pièce à main de la lampe **Celalux 3**, le guide de lumière ou les piles rechargeables entièrement déchargées dans le chargeur tant qu'ils n'ont pas été nettoyés et désinfectés.
3. Désinfecter à l'aide d'un liquide à base d'alcool en essuyant tout l'extérieur des composants de la lampe **Celalux 3**. Ne pas immerger l'appareil dans du liquide et éviter de mouiller les contacts de la pile. Pour un fonctionnement correct, veiller à ce que les contacts des piles restent secs.
4. Une fois l'extérieur de la lampe **Celalux 3** nettoyé et désinfecté, retirer la pile rechargeable.
5. Ne pas autoclaver les piles rechargeables ni la pièce à main !

6. Entretien et maintenance d'ordre général

- Vérifier régulièrement l'absence de dommages sur la lampe **Celalux 3** et, si nécessaire, l'envoyer au service de réparation.
- Utiliser le radiomètre intégré pour contrôler le rendement.
- La surface du chargeur peut être nettoyée et désinfectée au moyen d'un produit nettoyant doux ou d'un désinfectant à base d'alcool. Afin d'éviter de rayer l'instrument, toujours utiliser un chiffon doux non pelucheux pour nettoyer les surfaces en plastique.

6.1. Entretien des piles rechargeables

- Comme c'est le cas avec toutes les piles rechargeables, la capacité des piles va en s'amenuisant pendant la durée de vie du produit. Avec le temps, les piles rechargeables deviennent des consommables. Cela est dû à la réaction chimique interne à l'intérieur des piles. Ne jamais ouvrir les piles rechargeables. Il incombe à l'utilisateur de remplacer les piles.
- Lorsque la lampe **Celalux 3** n'est pas utilisée, laisser les piles dans le chargeur connecté sur le secteur afin d'assurer une durée de fonctionnement maximale des piles rechargeables.
- En règle générale, les contacts des piles n'ont pas besoin d'être nettoyés et doivent rester secs.
- Cet instrument est fourni avec 2 piles rechargeables. Ne pas éliminer la lampe **Celalux 3** et la pile rechargeable avec les ordures ménagères. Pour des raisons de protection de l'environnement, éliminer l'instrument et les piles rechargeables conformément aux directives ou réglementations locales en matière environnementale.
- Déposer seulement des accumulateurs déchargés dans le point de collecte ou prendre les mesures nécessaires pour éviter un court-circuit (par ex. isolation des pôles).



1. En règle générale, les contacts des piles rechargeables n'ont pas besoin d'être nettoyés et doivent rester secs.
2. Ne jamais ouvrir ni modifier les piles rechargeables.
3. Garder les piles rechargeables éloignées de toute source de chaleur et du feu..

6.2. Service de réparation

- A. En cas de dysfonctionnement et/ou si une réparation est nécessaire, contacter le service technique du fournisseur dentaire local.
- B. Placer tous les composants de la lampe **Celalux 3** dans un carton stable avec un emballage intérieur de protection approprié, et indiquer le nom, l'adresse et une brève description du problème. Important : ajouter une copie du justificatif d'achat (p. ex. facture, bordereau de livraison) si la lampe **Celalux 3** se trouve encore sous garantie.
- C. Envoyer le paquet au fournisseur dentaire local via un service de transport/postal fiable

7. Dépannage

En cas de doute, quel qu'il soit, sur le bon fonctionnement de l'instrument, le débrancher et retirer la pile rechargeable afin d'éviter tout fonctionnement accidentel. Cela peut être le cas, par exemple, si l'appareil est visiblement endommagé ou ne fonctionne plus correctement.

Symptôme	Mesure à prendre
L'appareil ne se met pas sur « On »	<ol style="list-style-type: none"> 1. Vérifier si la pile rechargeable est correctement mise en place et en position « On ». 2. Remplacer/Recharger la pile rechargeable.
Le radiomètre devient « rouge », ou la lumière fonctionne normalement, mais la photopolymérisation du matériau échoue.	<ol style="list-style-type: none"> 1. Vérifier que le guide de lumière est correctement mis en place, qu'il est propre et qu'aucun dommage ne peut être décelé. Nettoyer soigneusement les deux extrémités en éliminant tous les dépôts avec de l'alcool et un outil de nettoyage en bois ou en plastique, ne pas utiliser d'outils durs ou métalliques. 2. Remplacer le guide de lumière s'il est endommagé ou semble voilé. 3. Contacter le revendeur pour tout support technique supplémentaire.

L'instrument informe par plusieurs signaux de vibration du mode opératoire en cours (ordinaire ou spécial).

Signal de vibration	Signification
1 x	Un cycle de photopolymérisation de 20 secondes a commencé.
1 bref signal	10 secondes de photopolymérisation se sont écoulées.
1 x	Un cycle de photopolymérisation de 20 secondes est terminé.
2 x	Un cycle de photopolymérisation a été interrompu avant que les 20 secondes se soient écoulées.
3 x	La température interne de la pièce à main est trop élevée, laisser refroidir l'instrument pendant quelques minutes avant d'en reprendre l'utilisation.
4 x	Un nombre trop élevé de cycles de photopolymérisation consécutifs a été effectué, une petite pause est nécessaire.
5 x	La charge de la pile rechargeable est faible, elle doit être rechargée.

8. Conformité

8.1. Déclaration de conformité

Par la présente, VOCO déclare que le design, la structure et la version lancés sur le marché dentaire de l'appareil décrit dans le présent mode d'emploi sont conformes aux prescriptions de sécurité et de santé applicables visées à la directive européenne. La présente déclaration perdra toute validité en cas de modification apportée à l'appareil sans l'autorisation préalable de VOCO.

Par la présente, VOCO certifie que l'appareil **Celalux 3** est conforme à la directive 93/42/CEE et aux normes CEI 60601-1 et CEI 60601.

8.2. Tableaux CEM

Voir annexe 1.

8.3. Certifications réglementaires

93/42/CEE Directive 93/42/CEE du Conseil relative aux dispositifs médicaux, telle que modifiée par la directive 2007/47/CE, annexe 1

9. Caractéristiques techniques

Cet instrument est fourni avec 2 piles rechargeables. Ne pas éliminer la lampe **Celalux 3** et la pile rechargeable avec les ordures ménagères. Pour des raisons de protection de l'environnement, éliminer l'instrument et les piles rechargeables conformément aux directives ou réglementations locales en matière environnementale.

Instrument Celalux 3

Classification du produit	Classe I, conformément à la règle 12 de la directive 93/42/CEE du Conseil
Équipement	Type BF
Source lumineuse	Diode électroluminescente haute performance
Longueur d'onde	450 à 480 nm, avec crête à 465 nm
Intensité lumineuse moyenne	1.300 mW/cm ²
Fonctionnement	Utilisation intermittente, 10 cycles de 20 s / pause de 3 minutes
Protection contre les liquides	IP X0
Guide de lumière	Fibre optique d'un diamètre de 8 mm (autoclavable à une température maximale de 134 °C pendant 20 minutes maximum)
Pile rechargeable	Accumulateur lithium-polymère, 3,7 V, 270 mAh
Performance de la pile rechargeable	> 45 cycles de 20 s
Dimensions	Diamètre 12,6 mm x Longueur 210 mm
Poids	70 g (avec pile et guide de lumière)
Chargeur	
Entrée	6 V CC < 1 A
Capacité	Chargement automatique simultané de 2 piles rechargeables avec protection contre la surcharge
Radiomètre	Intégré, indication optique de l'intensité lumineuse, vert/rouge (suffisante/insuffisante) pour un traitement efficace
Dimensions	L 160 mm x l 90 mm x H 35 mm
Poids	170 g
Alimentation CA	
Entrée	100 à 240 V CA, 50/60 Hz, 0,5 A
Sortie	6 V CC/1 A
Classification	Classe II, équipement isolé double/renforcé
Fiche	Connecteur adaptateur mural interchangeable
Généralités	
Conditions ambiantes	Pas destiné à un usage en présence de gaz inflammables
Conditions de service	10 °C à 30 °C
Stockage et transport	-20 °C à 45 °C, humidité de 10 % à 95 %, pression barométrique comprise entre 50 et 106 kPa

10. Garantie

VOCO accorde 24 mois de garantie sur tous les composants de la **Celalux 3**, sauf sur l'accumulateur et le guide faisceau. La garantie commence le jour de l'achat.

Pendant la période de garantie, VOCO éliminera à titre gracieux tout défaut constaté sur la lampe **Celalux 3** et les accessoires de la lampe **Celalux 3** résultant d'un défaut de matériel ou de fabrication. VOCO se réserve le droit de soit réparer, soit échanger les pièces, soit remplacer l'instrument entier. La garantie ne couvre pas les dommages suivants : dommages dus à une utilisation inappropriée (p. ex. fonctionnement avec une tension/une intensité de courant incorrecte, bris, nettoyage avec des méthodes autres que celles recommandées) ; usure normale et défauts ayant un faible impact sur la valeur ou le fonctionnement de l'instrument. La garantie sera caduque si des réparations sont effectuées par des personnes non autorisées.

La garantie s'étend à tout pays de distribution de l'instrument par VOCO ou par des représentants habilités pour les produits VOCO, et dans lequel aucune restriction d'importation et aucune disposition légale n'empêchent un service sous garantie. Le service sous garantie n'altère en rien la date d'expiration de la garantie. La garantie portant sur les pièces d'instrument ou sur les instruments complets qui sont remplacés prend fin à la date d'expiration de la garantie de l'appareil d'origine.

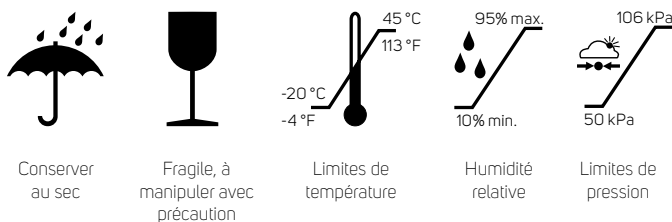
En cas de réclamation concernant l'instrument, renvoyer l'instrument **Celalux 3** complet (chargeur, pièce à main, piles rechargeables et guide de lumière) au revendeur, sans oublier de joindre le justificatif d'achat (p. ex. la facture).

Toute autre prétention sera exclue, y compris celles relatives à des dommages couverts par la présente garantie, à moins que notre responsabilité ne soit automatiquement engagée conformément à la loi. Sauf dans les pays où la loi l'interdit, VOCO déclinera toute responsabilité quant aux pertes ou dommages résultant de ce produit, qu'ils soient directs ou indirects, particuliers, accessoires ou consécutifs, sans considération de la théorie avancée, y compris d'une garantie, d'un contrat, d'une négligence ou d'une responsabilité objective.

11. Informations relatives aux commandes ultérieures

Accessoires	RÉF.
Lampe LED de photopolymérisation Celalux 3	9090
Guide de lumière 8 mm	9091
Piles rechargeables	9092
Capuchons antiéblouissants en caoutchouc (5 pcs)	9093

12. Informations relatives au stockage et au transport



13. Signification des symboles

	Conforme aux prescriptions visées à la directive 93/42/CEE.
	Attention : consulter la documentation jointe au produit !
	Ce symbole se réfère à l'élimination spéciale des dispositifs électriques et électroniques dans les pays de l'Union européenne. Ne pas éliminer le dispositif avec les ordures ménagères. S'adresser au revendeur ou au service municipal de recyclage ou d'élimination des déchets pour tous renseignements relatifs à l'élimination du produit dans le pays concerné. Prendre soin d'éliminer le dispositif de manière conforme.
	Ce symbole indique qu'un produit ou instrument (en l'occurrence, les guides de lumière et les capuchons antiéblouissants de la lampe Celalux 3) peuvent être stérilisés à la température indiquée (134 °C = 275 °F).
	Suivre les instructions d'utilisation.
	Symbole d'avertissement : rayonnement LED de haute intensité

14. Contact

- En cas de problèmes, contacter VOCO ou envoyer un courriel à VOCO.

Annexe 1

Directives et déclaration du fabricant – Émissions électromagnétiques

EN 60601-1-2/Tableau 201
Groupe d'appareil 1 et classe B ; selon la CISPR 11

La lampe Celalux 3 est destinée à servir dans un environnement électromagnétique spécifié ci-dessous. Le client ou l'utilisateur de la lampe Celalux 3 doit s'assurer que l'environnement dans lequel elle est installée corresponde à ces critères.		
Émissions H.F. selon la CISPR 11	Groupe 1	La lampe Celalux 3 utilise une énergie H.F. uniquement pour ses fonctions internes. Son émission est donc très faible et il est très peu probable qu'elle perturbe des appareils électroniques voisins.
Émissions H.F. selon la CISPR 11	Classe B	La lampe Celalux 3 peut être utilisée dans tous les établissements, y compris dans des zones d'habitat et des zones branchées directement sur un réseau public alimentant aussi les bâtiments servant à des buts d'habitation.
Émission d'oscillations harmoniques selon la CEI 61000-3-2	Équivalent	
Émissions de variations de tension/ de tension de papillotement selon la CEI 61000-3-3		

Directives et déclaration du fabricant – Immunité électromagnétique

EN 60601-1-2 / Tableau 202

La lampe Celalux 3 est destinée à servir dans un environnement électromagnétique comme spécifié ci-dessous. Le client ou l'utilisateur de la lampe Celalux 3 doit s'assurer que l'environnement dans lequel elle est installée corresponde à ces critères.			
Tests d'immunité	CEI 60601 Niveau d'essai	Équivalence	Environnement électromagnétique – Directives
Décharge électrostatique selon la CEI 61000-4-2	±6 kV décharge par contact ±8 kV décharge par air	Le dispositif continue à fonctionner de manière régulière et sûre.	Les sols devraient être en bois ou en béton, ou recouverts de carreaux de céramique. En présence de sols à revêtement synthétique, l'humidité relative de l'air doit être d'au moins 30 %.
Perturbations HF rayonnées selon la CEI 61000-4-3	3 V/m de 80 MHz à 2,5 GHz	Le dispositif continue à fonctionner de manière régulière et sûre.	Il est théoriquement difficile de définir avec précision l'intensité du champ d'émetteurs stationnaires. Il serait donc indiqué d'envisager une étude de site afin de calculer l'environnement électromagnétique des émetteurs stationnaires.
Transitoires rapides / bursts selon la CEI 61000-4-4	±2 kV pour lignes d'alimentation ±1 kV pour lignes d'entrée / de sortie	Le dispositif continue à fonctionner de manière régulière et sûre.	La qualité de la tension d'alimentation devrait correspondre à un environnement professionnel ou hospitalier caractéristique
Ondes de surtension (surges) selon la CEI 61000-4-5	±1 kV tension symétrique ±2 kV tension en phase	Le dispositif continue à fonctionner de manière régulière et sûre.	
Perturbations H.F. conduites selon la CEI 61000-4-6	3 V _{eff} de 150 kHz à 80 MHz	Le dispositif continue à fonctionner de manière régulière et sûre.	Les appareils radio portables et mobiles ne devraient pas être utilisés dans un rayon inférieur à l'écart de sécurité à respecter par rapport à la lampe Celalux 3 , câbles compris, et calculé à l'aide de l'équation applicable en fonction de la fréquence d'émission. Écarts de sécurité recommandés : d = 1,2 √P d = 1,2 √P de 80 MHz à 800 MHz d = 2,3 √P de 800 MHz à 2,5 GHz
Champ magnétique pour fréquence d'alimentation (50/60 Hz) selon la CEI 61000-4-8	3-100 A/m	Le dispositif continue à fonctionner de manière régulière et sûre.	Les champs magnétiques de la fréquence du secteur devraient correspondre à des niveaux caractéristiques d'un lieu typique dans un environnement professionnel ou hospitalier caractéristique.
Creux de tension, micro-coupures et variations de la tension d'alimentation selon la CEI 61000-4-11	< 5 % U/10 ms 70 % U/0,5 s 40 % U/0,1 s	Le dispositif peut présenter des niveaux d'immunité différents de ceux requis, pour autant que le dispositif reste sûr, qu'aucun dysfonctionnement n'a été détecté et que l'appareil peut être restauré par l'utilisateur à l'état précédent les essais préliminaires.	La qualité de la tension d'alimentation devrait correspondre à un environnement professionnel ou hospitalier caractéristique.

Remarque :

1. (P) représente la puissance nominale maximale de l'émetteur en watts (W) indiquée par le fabricant de l'émetteur, (d) correspond à l'écart de sécurité conseillé en mètres (m). Les intensités de champs émises par les émetteurs RF fixes, telles que déterminées par une étude électromagnétique du site, devraient être moins élevées que le niveau d'équivalence dans chaque plage de fréquence (b). Des perturbations peuvent se produire à proximité d'équipements présentant le symbole suivant :



2. Ces directives peuvent ne pas s'appliquer dans tous les cas. Des facteurs comme des absorptions et des réflexions dues à des bâtiments, objets ou personnes peuvent se répercuter sur la propagation de perturbations électromagnétiques. Il est théoriquement difficile de définir avec précision l'intensité du champ d'émetteurs stationnaires, comme les stations de base de téléphones radio et stations radio terrestres mobiles, stations radio amateurs, émetteurs de radio AM et FM et de télévision. Il serait donc indiqué d'envisager une étude du site afin de calculer l'environnement électromagnétique des émetteurs stationnaires. Si l'intensité du champ mesurée sur le site sur lequel la lampe **Celalux 3** doit être utilisée dépasse le niveau d'équivalence indiqué plus haut, il est conseillé de surveiller la lampe **Celalux 3** afin de pouvoir justifier de son fonctionnement correct. Il peut s'avérer nécessaire de prendre des mesures supplémentaires, comme un changement de position ou d'emplacement de la lampe **Celalux 3**, si l'on observe des caractéristiques anormales.

Écarts de sécurité recommandés entre les appareils de télécommunication H.F. portables ou mobiles et la lampe Celalux 3

Ce produit est destiné à servir dans un environnement électromagnétique dans lequel les perturbations H.F. sont contrôlées. Le client ou l'utilisateur de la lampe **Celalux 3** peut ainsi aider à prévenir les interférences électromagnétiques en respectant, comme indiqué ci-dessous, l'écart minimum entre les appareils de télécommunication H.F. portables et mobiles (émetteurs) et la lampe **Celalux 3**, en fonction de la puissance de sortie maximale de l'appareil de communication.

Celalux 3

EN 60601-1-2 / Tableau 206

Écart de sécurité (m) en fonction de la fréquence de l'émetteur			
Puissance nominale de l'émetteur (W)	De 50 kHz à 80 MHz $d = 1,2 \times \sqrt{P_{\text{Émetteur}}}$	De 80 MHz à 800 MHz $d = 1,2 \times \sqrt{P_{\text{Émetteur}}}$	800 MHz à 2.5 GHz $d = 2,3 \times \sqrt{P_{\text{Émetteur}}}$
0,01	0,12	0,12	0,23
0,1	0,38	0,38	0,73
1	1,2	1,2	2,3
2	1,7	1,7	3,25
10	3,8	3,8	7,3
100	12	12	23

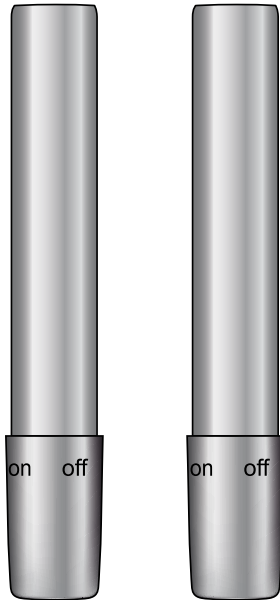
1 Pieza manual



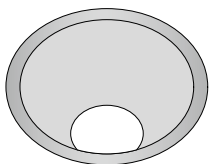
2 Conductor óptico



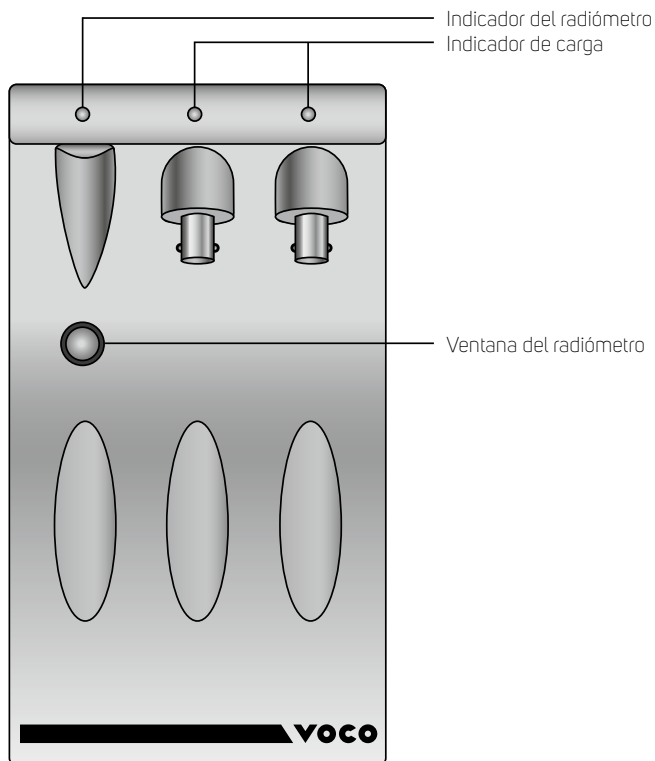
3 Batería



4 Pantalla de goma



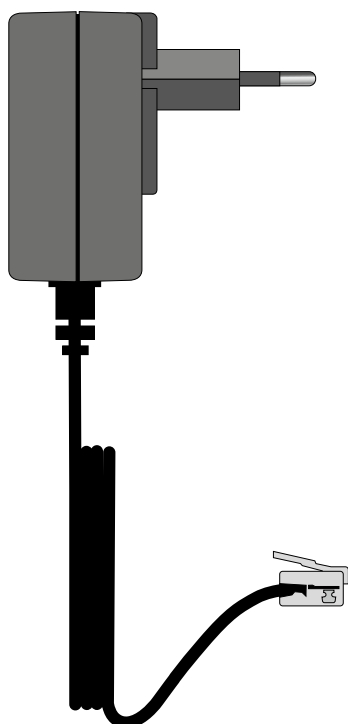
5 Base de carga



Radiómetro:

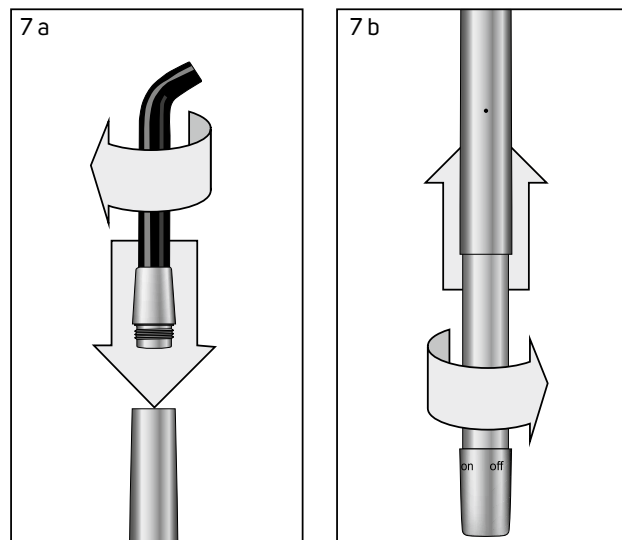
- Verde = correcto
- Rojo = potencia baja

6 Cable de alimentación



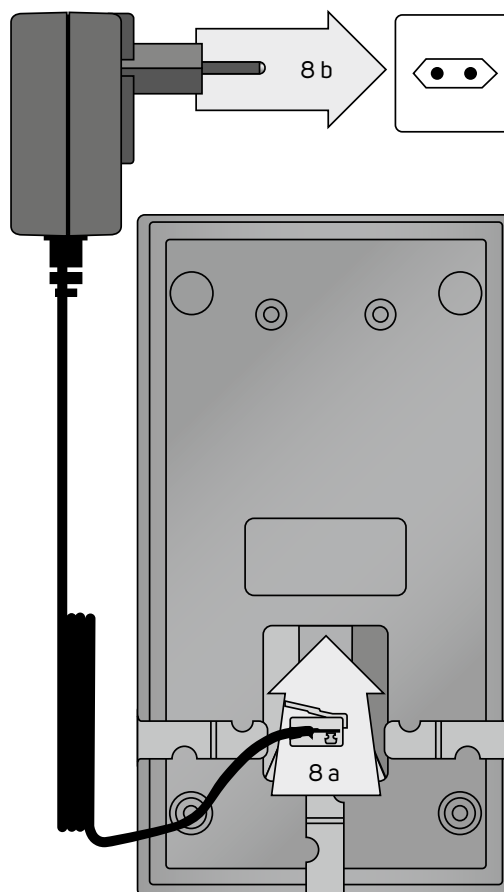
7 Pieza manual:

- Enroscar el conductor óptico
- Insertar la batería; "Girar mientras se inserta"



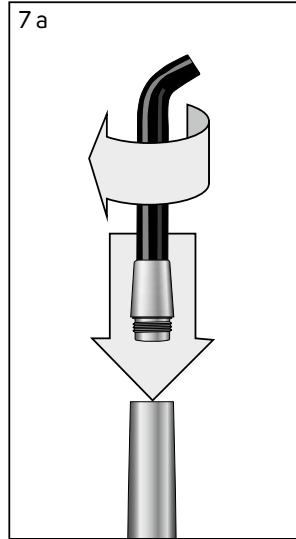
8 Base de carga:

- Insertar el cable de alimentación en la base de carga
- Cable de alimentación en el enchufe de pared



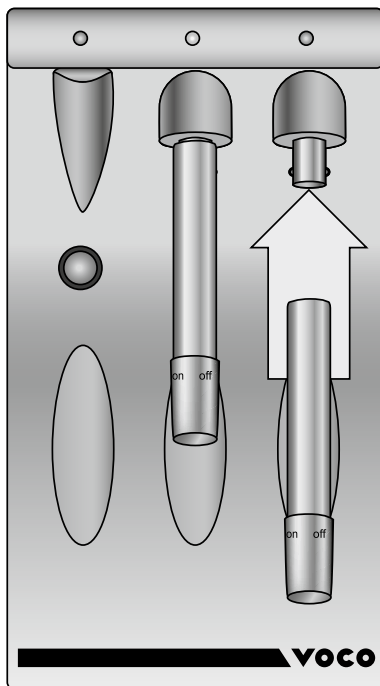
9 **Pieza manual:**

- Ajustar el ángulo de la luz
- Colocar el extremo del conductor óptico cerca del material para resultados óptimos
- Comprobar la fijación del conductor óptico
- Comprobar y limpiar la suciedad u otras obstrucciones en ambos extremos del conductor óptico
- Comprobar la ventana de la pieza manual



10 **Base de carga:**

- Batería en el soporte de carga (2 pasos)
- No colocar en la base de carga antes de limpiar y desinfectar
- Utilizar frecuentemente el radiómetro para asegurar una potencia lumínica correcta
- Comprobar los indicadores de carga de la batería



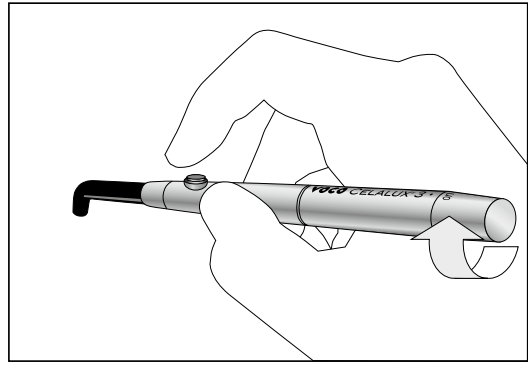
Recarga:

- Luz fija = en carga
- Luz apagada = batería completamente cargada; lista para usar

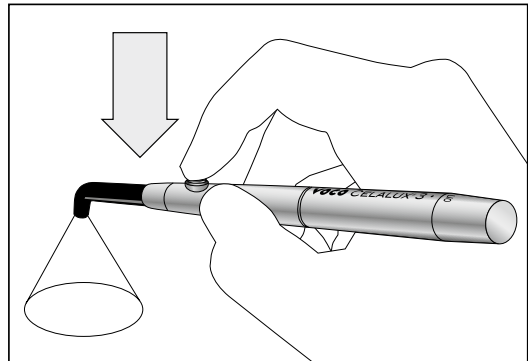
Radiómetro:

- Verde = correcto
- Rojo = potencia baja

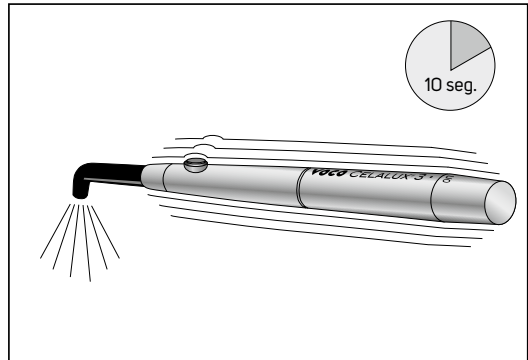
11 **Activación de la Celalux 3: conectar la pieza manual**



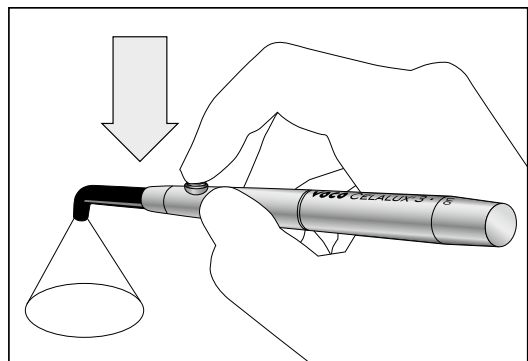
12 **Activar la luz durante 20 segundos: pulsar el interruptor de la pieza manual**



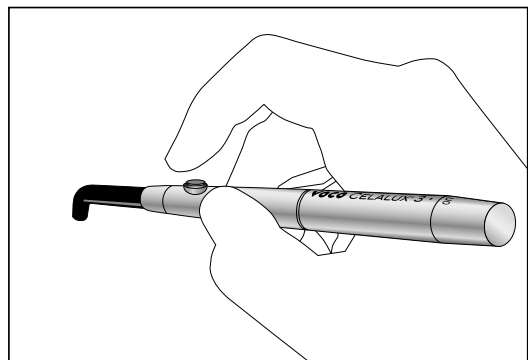
13 **La pieza manual vibrará y parpadeará transcurridos 10 segundos**



14 **Apagar la luz inmediatamente: pulsar el interruptor de la pieza manual**



15 **La luz se apaga**



CELALUX® 3

Lámpara de polimerización

Precaución: solo para uso dental.

EE. UU.: solo bajo prescripción facultativa

Fabricado en Suiza

Contenido	Página
1. Descripción del producto y uso previsto	30
1.1. Indicaciones de uso.....	30
1.2. Contraindicaciones.....	30
2. Indicaciones de seguridad	30
2.1. Advertencias generales.....	30
2.2. Pieza manual.....	30
2.3. Base de carga.....	30
2.4. Precauciones.....	30
3. Instrucciones de uso	31
3.1. Obligaciones del propietario.....	31
3.2. Montaje.....	31
3.3. Carga.....	31
3.4. Operación.....	31
4. Recomendaciones sobre el material dental	31
5. Higiene	31
5.1. Antes del tratamiento del paciente.....	31
5.2. Durante el tratamiento del paciente.....	31
5.3. Después del tratamiento del paciente.....	31
6. Cuidados generales y mantenimiento	32
6.1. Cuidado de la batería.....	32
6.2. Servicio de reparaciones.....	32
7. Resolución de problemas	32
8. Cumplimiento normativo	32
8.1. Declaración de conformidad.....	32
8.2. Tablas de CEM.....	32
8.3. Certificaciones reglamentarias.....	32
9. Datos técnicos	32
10. Garantía	32
11. Información para pedidos	33
12. Información de almacenamiento y transporte	33
13. Explicación de símbolos	33
14. Información de contacto	33
Anexo 1	33

1. Descripción del producto

La lámpara de polimerización **Celalux 3** es un dispositivo LED de alta energía, inalámbrico y con forma de lápiz, destinado a la polimerización de materiales dentales fotopolimerizables que se activan con longitudes de onda en el rango luminoso entre 450 nm y 480 nm. Está diseñada para el uso exclusivo en el consultorio o laboratorio dental por parte de profesionales dentales capacitados. La **Celalux 3** se caracteriza por:

- Elevada potencia de luz azul
- Ligereza, tamaño compacto y diseño ergonómico
- Operación inalámbrica y fácil sustitución de las baterías
- Recarga de las baterías excepcionalmente rápida
- Conductor(es) óptico(s) de fibra óptica desmontable(s), diseñado(s) para un acceso intraoral óptimo
- Campo de fraguado eficaz para la polimerización de materiales fotopolimerizables
- Base de carga cómoda y fácil de usar, con baterías adicionales y radiómetro integrado

La **Celalux 3** ha sido enviada por el fabricante en condiciones seguras y en perfecto estado técnico. Se deben cumplir las siguientes instrucciones de uso para: mantener el rendimiento del producto; garantizar un funcionamiento exento de riesgos; y evitar lesiones a pacientes y profesionales dentales.

1.1. Indicaciones de uso

La lámpara de polimerización **Celalux 3** está indicada para la polimerización de materiales dentales que fraguan con luz azul (450 nm a 480 nm).

1.2. Contraindicaciones

La lámpara de polimerización **Celalux 3** no se debe usar con pacientes que:

- sean propensos a reacciones fotobiológicas, incluidos los pacientes con urticaria solar o protoporfiria eritropoyética; o
- estén recibiendo actualmente tratamiento con fármacos fotosensibilizantes.

Cualquier persona (usuarios, pacientes, etc.) que tenga alguna pregunta o preocupación, o un historial de problemas de salud relacionados con sus ojos (p.ej.: enfermedad retiniana, retinopatía, cataratas, etc.) debería consultar a su oftalmólogo antes de utilizar la lámpara de polimerización **Celalux 3** o recibir tratamiento con ella.

2. Indicaciones de seguridad

La **Celalux 3** está destinada únicamente al uso descrito en este manual. Cualquier otro uso se considerará uso indebido y será responsabilidad exclusiva del usuario y propietario.



Símbolo de aviso de seguridad

En el presente manual, este símbolo llama su atención sobre información referida a posibles peligros para la seguridad o riesgos de lesiones. Obedezca todas las indicaciones de seguridad precedidas por este símbolo.

etario.

2.1. Advertencias generales

- Nunca modifique la lámpara de polimerización **Celalux 3** ni ninguno de sus accesorios. Las modificaciones pueden poner en peligro la seguridad y la eficacia.
- Tome medidas adecuadas de control de infecciones mientras utilice la **Celalux 3** en la cavidad bucal, y realice un plan de higiene apropiado tras el uso con pacientes.
- No utilice el equipo si presenta daños. Realice una comprobación rutinaria del conductor óptico en busca de arañazos y daños superficiales.
- La lámpara de polimerización **Celalux 3**, así como las baterías y la base de carga, solamente pueden ser reparadas por técnicos autorizados.
- Evite colocar la **Celalux 3** o la base de carga encima, debajo o cerca de otros equipos. Se debe mantener una distancia segura con otros aparatos eléctricos.
- El uso de accesorios no mencionados en este manual puede dar lugar a condiciones no seguras o a un menor rendimiento del producto. Por este motivo, debe utilizar únicamente accesorios autorizados de fábrica.
- No cargue ni use el dispositivo cerca de sustancias inflamables o combustibles.

2.2. Pieza manual

- Cerciorarse de que el puerto de salida del conductor óptico no esté cubierto por suciedad u objetos que puedan bloquear la emisión de luz.
- No utilizar el conductor óptico de la **Celalux 3** como retractor de tejidos ni como instrumento para manipular la lengua o las mejillas.
- Cerciorarse de que el protector ocular de la **Celalux 3** está instalado de forma segura, e inspeccionarlo rutinariamente. Sustituir según sea necesario.
- Limpiar y desinfectar siempre la pieza manual de la **Celalux 3** antes de colocarla en la base de carga.
- Para modificar la dirección de la luz, girar la pieza manual completa de la misma forma que se haría rodar un lápiz entre los dedos o girar el conductor óptico con independencia de la pieza manual.
- Cuando no esté en uso, colocar siempre la batería en la posición «off» para evitar una activación involuntaria.

2.3. Base de carga

- Cerciorarse de que las características del suministro de electricidad coincidan con los requisitos eléctricos del producto. No utilizar la base de carga con voltajes diferentes a los indicados en este manual o marcados en el equipo.
- La base de carga y las baterías están sometidas a tensión: ¡no abrir! Utilizar el equipo solo si está seco. No usarlo nunca si está mojado.
- Instalar y utilizar únicamente sobre superficies planas.
- Desconectar el conector de alimentación de la red eléctrica (p. ej., enchufe de pared) antes de desconectar el conector del cable de alimentación de la base de carga.
- Tocar la base de carga únicamente con guantes limpios o de desinfección para evitar contaminación por fluidos corporales.
- No utilizar el conector de alimentación para otros dispositivos distintos de la **Celalux 3**.

2.4. Precauciones

- Aquellas personas que hayan sido sometidas a tratamiento de cataratas, tengan un historial de reacciones fotobiológicas o se encuentren bajo los efectos de medicación fotosensibilizante (p. ej., 8-metoxipsoraleno o dimetilclortetracina) pueden ser sensibles a la luz. Dichos pacientes no deben ser tratados con la **Celalux 3**.
- Tanto los pacientes como los profesionales dentales deben tomar siempre precauciones de seguridad adecuadas. Utilizar la lámpara de polimerización **Celalux 3** con sumo cuidado y cumpliendo cuidadosamente todas las precauciones de seguridad, incluida la referida a llevar gafas de seguridad apropiadas que filtren la luz.
- Utilizar la **Celalux 3** únicamente tras haberla sometido a un procedimiento de higiene adecuado.
- No utilizar teléfonos móviles ni otros dispositivos electrónicos portátiles al mismo tiempo que la **Celalux 3**.
- Evitar dirigir la luz a tejidos blandos no protegidos. Esto puede causar irritación o lesiones.
- No mirar a la fuente de luz y evitar que la luz incida directamente en los ojos. Esta luz directa y la reflejada por superficies brillantes, tales como la superficie de los dientes, pueden dañar los ojos. Instalar siempre el protector ocular en la **Celalux 3**, y usar además gafas de seguridad que filtren la luz.
- Limitar el uso de la luz al área en tratamiento.
- El uso prolongado de cualquier luz de polimerización puede producir un aumento de temperatura. Se debe evitar el uso prolongado cerca de la pulpa y tejidos blandos para prevenir lesiones. El fraguado cerca o alrededor de tejidos sensibles debe realizarse dejando intervalos de descanso adecuados.
- Confine usage of the light to the area being treated.
- Prolonged usage of any curing light can increase temperature. Extended usage near pulp and soft tissues should be avoided to prevent injury. Curing near or around sensitive tissues should be performed with adequate breaks.

3. Instrucciones de uso

3.1. Obligaciones del propietario

Además de cumplir con las disposiciones legales, el propietario debe asegurar que los requisitos legales se cumplen y se aplican en el lugar de trabajo. En particular, el propietario debe formar al personal y cumplir la legislación industrial de seguridad, así como todas las leyes o reglamentos asociados.

El propietario es plenamente responsable de garantizar que la **Celalux 3** está en condiciones de operación seguras en todo momento. En caso de duda, no usar la unidad y ponerse en contacto con VOCCO.

VOCCO le recomienda que guarde este manual junto con los documentos asociados a él.

3.2. Montaje

Desembale cuidadosamente todos los componentes de la **Celalux 3** y familiarícese con cada uno de los elementos. Verificación de integridad.

- En primer lugar, se debe comprobar que el voltaje indicado en la placa de identificación de la **Celalux 3** coincide con el del suministro eléctrico local (**Fig. 8**).
- En la cara inferior de la base de carga, insertar el conector del cable de alimentación —con forma de clavija telefónica— en la toma correspondiente (**Fig. 8**).
- Pasar el cable de alimentación por debajo de los tres clips situados junto a la toma de la base de carga, hasta uno de los canales de salida del cable (**Fig. 8**). El cable de alimentación debe quedar perfectamente ajustado bajo los clips para aliviar la tensión en el conector con forma de clavija telefónica.
- Insertar cuidadosamente el conductor óptico en el extremo frontal de la pieza manual de la **Celalux 3**, y enroscarlo con suavidad (conexión roscada, **Fig. 7, 9**). El conductor óptico gira independientemente de la pieza manual.
- Fijar el protector ocular al conductor óptico.



- En primer lugar, comprobar que el voltaje indicado en la placa de identificación de la **Celalux 3** coincide con el del suministro eléctrico local.
- Colocar la base de carga en una superficie horizontal estable separada, como mínimo, 1,5 m del paciente.
- Fijar el protector ocular al conductor óptico.

3.3. Carga

- Cargar completamente ambas baterías antes del primer uso. Insertar las baterías en los conectores de carga de la base de carga (**Fig. 10**).
- Cuando se note cierta resistencia, presionar la batería para que quede fijada en su lugar (**Fig. 7**). Se ve una luz verde en la base de carga, que indica que la carga está en curso.
- La luz verde se apaga cuando se ha completado la carga de la batería.
- Cuando la **Celalux 3** no esté en uso, las baterías deben colocarse en los soportes de carga para garantizar una duración máxima de la batería.
- Las baterías descargadas necesitan aproximadamente una hora para cargarse por completo. Una batería completamente cargada puede alimentar la **Celalux 3** durante aproximadamente 45 ciclos.



- ¡No esterilizar nunca las baterías en la autoclave!**
- Estas baterías no tienen memoria y se deben poner a cargar siempre que sea posible.
- Las baterías solo deben cargarse mediante la base de carga suministrada.
- No insertar piezas metálicas en el extremo abierto de las baterías, podría causar un cortocircuito.
- Para un funcionamiento adecuado, mantener secos los contactos de las baterías.

3.4. Operación

- Insertar suavemente una batería en el extremo posterior de la pieza manual de la **Celalux 3** (**Fig. 7**). Notará que el conector desliza la batería automáticamente a la posición «off» (**Fig. 7**).
- Al notar resistencia, presionar suavemente la batería hasta que entre por completo en la pieza manual (**Fig. 7**). Se oír un clic cuando la batería esté completamente insertada y correctamente colocada en la pieza manual de la **Celalux 3**.
- Girar la batería un cuarto de vuelta en cualquier dirección, hasta la posición «on». Para confirmar que el dispositivo se ha conectado adecuadamente, se ve un breve destello de luz azul.
- Con la pieza manual y la batería en la posición «on», la **Celalux 3** puede activarse ahora mediante el interruptor (**Fig. 11**).
- Activar la **Celalux 3** usando el interruptor situado en la pieza manual (**Fig. 11**). El dispositivo notifica el comienzo de un ciclo mediante una breve vibración.
- Una vez activada, la luz de polimerización de la **Celalux 3** emitirá luz azul durante 20 segundos.
- Transcurridos 10 segundos, la **Celalux 3** vibrará y parpadeará una vez, señalando así de forma orientativa el tiempo de fraguado.
- Para detener el fraguado manualmente o interrumpir el ciclo de fraguado, volver a pulsar el interruptor situado en la pieza manual (**Fig. 13**). Después de 20 segundos, la luz se apaga automáticamente y una vibración prolongada indica el final del ciclo.
- Si la batería se agota, la **Celalux 3** lo indicará parpadeando/vibrando 5 veces en una sucesión rápida. Sustituirla por la segunda batería y continuar con el procedimiento. No colocar la batería agotada en la base de carga sin haberla limpiado y desinfectado antes adecuadamente.
- Si es necesario, ajustar el ángulo de la luz «haciendo rodar» el dispositivo entre los dedos como si fuera un lápiz o girando el conductor óptico.
- Para unos resultados de fraguado óptimos, la punta del conductor óptico debería estar colocada lo más cerca posible del material dental sin llegar a tocarlo.
- La pieza manual de la **Celalux 3** puede calentarse ligeramente durante el funcionamiento prolongado. Esto es normal. Después de 10 ciclos de polimerización consecutivos de 20 segundos cada uno hay que hacer una pausa de 3 minutos para evitar un sobrecalentamiento. Una señal de vibración cuádruple significa que se han realizado

muchos ciclos de polimerización consecutivos. La **Celalux** puede ser usada otra vez después de una pausa de 3 minutos.

- Para controlar la potencia luminica con el radiómetro integrado: colocar el extremo limpio del conductor óptico sobre la ventana del sensor, con la superficie de salida orientada horizontalmente, y activar un ciclo de fraguado. El LED adyacente se iluminará en verde si la potencia luminica está preparada para un fraguado con una duración de fraguado normal. Se iluminará en rojo si la potencia luminica es baja, véase la sección de resolución de problemas. Puede detener el ciclo tan pronto como haya obtenido la lectura. El radiómetro solo funciona si el cargador está conectado a la alimentación eléctrica.
- Tras el procedimiento, o cuando el instrumento no esté en uso, girar la batería a la posición «off» o retirarla del instrumento para cargarla. Esto es importante para la vida de la batería.
for battery life.



- Antes de usar la **Celalux 3**, fijar el protector ocular al conductor óptico y utilizar protección ocular que filtre la luz (p. ej., gafas).
- No mirar a la luz de polimerización activa. Puede dañar los ojos. Grupo de riesgo 2, precaución: la radiación óptica emitida por este producto es potencialmente peligrosa.
- Utilizar la **Celalux 3** únicamente tras haberla sometido a un procedimiento de higiene adecuado.
- No colocar nunca en la base de carga la pieza manual, el conductor óptico o una batería agotada de la **Celalux 3** sin haberlos limpiado y desinfectado primero.

4. Recomendaciones sobre el material dental

En general, la **Celalux 3** ha sido optimizada para lograr un tiempo de fraguado de 10-20 segundos con materiales dentales que fraguan con luz azul (450 nm a 480 nm).

Entre estos materiales se incluyen los materiales de restauración, los agentes adhesivos y las bases, las bases protectoras, los selladores de fisuras, algunos materiales temporales y de fijación para brackets, y materiales de laboratorio dental, como los inlays cerámicos. No obstante, se deben seguir las instrucciones del fabricante para materiales dentales fotopolimerizables específicos.

5. Higiene

5.1. Antes del tratamiento del paciente

- Comprobar periódicamente la potencia luminica usando el radiómetro, e inspeccionar el conductor luminoso para garantizar que no está obstruido.
- Comprobar que el protector ocular está correctamente instalado en el conductor óptico.
- Equipar al personal dental y al paciente con la protección ocular adecuada (filtrado de la luz, protección frente a infecciones).
- Tener en cuenta las necesidades de salud del paciente y su posible sensibilidad a la luz, y determinar las medidas de precaución apropiadas.
- Colocar la pieza manual de la **Celalux 3** en un lugar conveniente para el uso durante el tratamiento.



- Antes del tratamiento, fijar el protector ocular de goma al conductor óptico y utilizar una protección ocular que filtre la luz (p. ej., gafas).
- Utilizar la **Celalux 3** únicamente tras haberla sometido a un procedimiento de higiene adecuado.

5.2. Durante el tratamiento del paciente

- No colocar nunca en la base de carga la pieza manual, el conductor óptico o una batería agotada de la **Celalux 3** sin haberlos limpiado y desinfectado primero.
- No utilice la **Celalux 3** como retractor de tejidos para manipular la lengua o las mejillas.



- Utilizar la **Celalux 3** únicamente tras haberla sometido a un procedimiento de higiene adecuado.
- No colocar nunca en la base de carga la pieza manual, el conductor óptico o una batería agotada de la **Celalux 3** sin haberlos limpiado y desinfectado primero.

5.3. Después del tratamiento del paciente

- Desechar los guantes de examen según la normativa local y desinfectar las manos con una solución desinfectante bactericida, viricida y fungicida, conforme a la normativa local. Seguir las instrucciones de uso del fabricante de la solución desinfectante. Utilizar un nuevo par de guantes de examen limpios para limpiar y desinfectar la **Celalux 3**.
- Quitar el protector ocular. Limpiarlo y desinfectarlo por separado.
- Eliminar la carga biológica de la **Celalux 3**.
- Desinfectar con fluidos a base de alcohol, limpiando completamente el exterior de los componentes de la **Celalux 3**. Para limpiar la unidad, utilizar un paño de un solo uso. No sumergir, y procurar evitar que se mojen los contactos de la batería. Impedir que los fluidos penetren en la pieza manual.
- La batería puede extraerse una vez que el exterior de la **Celalux 3** haya sido limpiado y desinfectado.
- El conductor óptico puede quitarse después de la limpieza y la desinfección. Hecho esto, el conductor óptico puede ser esterilizado en la autoclave mediante un proceso de esterilización validado, a una temperatura máxima de 134 °C y durante un tiempo de hasta 20 minutos. Realizar la esterilización según las normas EN 17665-1:2006 y EN 556-1:2001 a 134 °C durante al menos 3 minutos, y usar esterilizadores a vapor que cumplan los requisitos de la norma EN 13060:2004+A2:2010, clase B o S.
- Tras la limpieza y la desinfección, volver a colocar la **Celalux 3** y la batería en la base de carga. No dejar la batería en el instrumento cuando no esté en uso.



1. Utilizar la **Celalux 3** únicamente tras haberla sometido a un procedimiento de higiene adecuado.
2. No colocar nunca en la base de carga la pieza manual, el conductor óptico o una batería agotada de la **Celalux 3** sin haberlos limpiado y desinfectado primero.
3. Desinfectar con fluidos a base de alcohol, limpiando completamente el exterior de los componentes de la **Celalux 3**. No sumergir en líquidos, y procurar evitar que se mojen los contactos de la batería. Para un funcionamiento adecuado, mantener secos los contactos de las baterías.
4. La batería puede extraerse una vez que el exterior de la **Celalux 3** haya sido limpiado y desinfectado.
5. ¡Las baterías y la pieza manual no se deben esterilizar en la autoclave!

6. Cuidados generales y mantenimiento

- Inspeccionar periódicamente la **Celalux 3** en busca de daños, y enviar al servicio de reparaciones si es necesario.
- Utilizar el radiómetro integrado para controlar la potencia.
- La superficie de la base de carga puede limpiarse y desinfectarse utilizando un producto de limpieza suave o un desinfectante a base de alcohol. Para evitar arañazos al limpiar las superficies de plástico, utilice siempre un paño suave que no deje pelusas.

6.1. Cuidado de la batería

- Como ocurre con todas las baterías, la capacidad de la batería se reducirá a lo largo de la vida del producto. Las baterías son un artículo fungible que dura un cierto tiempo. Esto es debido a las reacciones químicas internas de las baterías. No abrir nunca las baterías. Sustituir a la discreción del usuario.
- Cuando no se esté usando la **Celalux 3**, las baterías deben guardarse en los soportes de carga conectados a una toma de corriente activa para garantizar una duración máxima de la batería.
- Generalmente, no es necesario limpiar los contactos de las baterías, que se deben mantener secos.
- El dispositivo se suministra con 2 baterías. La **Celalux 3** y las baterías no deben desecharse con la basura doméstica normal. Por motivos medioambientales, le rogamos que deseche el dispositivo y las baterías según las directrices o normas medioambientales locales.
- Asegurarse de que se entreguen solo las baterías descargadas en las instalaciones de recogida y tomar precauciones contra los cortocircuitos respectivamente (p. ej. aislar los polos).



1. Generalmente no es necesario limpiar los contactos de las baterías, que se deben mantener secos.
2. Nunca se deben abrir ni modificar las baterías.
3. Mantener las baterías a una distancia prudencial de las fuentes de calor y llamas.

6.2. Servicio de reparaciones

- A. Informe al departamento de asistencia técnica de su suministrador local de productos dentales acerca de la avería y la necesidad de reparación.
- B. Empaquete todos los componentes de la **Celalux 3** en una caja resistente con una protección interna adecuada, e incluya su nombre, dirección y una breve descripción del problema. Importante: incluya una copia de la prueba de compra (p. ej., factura, albarán) si la **Celalux 3** está dentro del período de garantía.
- C. Envíe el paquete a su suministrador local de productos dentales a través de un servicio postal o de paquetería fiable.

7. Resolución de problemas

Si existe alguna duda acerca del funcionamiento seguro, se debe desconectar la alimentación y quitar la batería para evitar el funcionamiento accidental. Este puede ser el caso, por ejemplo, si el aparato está visiblemente dañado o ha dejado de funcionar correctamente.

Síntoma	Acción
La unidad no se enciende	<ol style="list-style-type: none"> 1. Comprobar si la batería está insertada correctamente y en la posición «on» 2. Sustituir/cargar la batería
El radiómetro se ilumina en «rojo» o la luz funciona con normalidad pero el material no fragua	<ol style="list-style-type: none"> 1. Comprobar que el conductor óptico está insertado correctamente, limpio y sin daños visibles. Limpiar cuidadosamente las superficies de ambos extremos, y eliminar cualquier suciedad con alcohol y una espátula de madera o plástico; no utilizar herramientas duras ni de metal. 2. Sustituir el conductor óptico si esta dañado o proyecta una luz débil. 3. Contacte con su representante para más asistencia técnica.

El instrumento emite diversas señales de vibración para informar acerca de los modos de funcionamiento normales o especiales.

Señal de vibración	Explicación
1 x	Ha comenzado un ciclo de fraguado de 20 segundos
1 señal breve	Se han completado 10 segundos de fraguado
1 x	Ha terminado un ciclo de fraguado de 20 segundos
2 x	Se ha interrumpido un ciclo de fraguado antes de 20 segundos
3 x	La temperatura interna de la pieza manual es demasiado alta, dejar que se enfríe unos minutos antes de volver a usarla
4 x	Se han realizado demasiados ciclos de fraguado consecutivos, se necesita una breve pausa
5 x	La batería tiene poca carga, es necesario recargarla

8. Cumplimiento normativo

8.1. Declaración de conformidad

VOCO declara que el diseño, la estructura y la versión introducidos en el mercado dental para la unidad descrita en el presente manual satisfacen los requisitos relevantes de seguridad y salud de la Directiva de la UE. Esta declaración queda invalidada si se altera la unidad sin previa autorización de VOCO.

VOCO confirma que la unidad **Celalux 3** cumple la Directiva 93/42 CEE y las normas CEI 60601-1 e CEI 60601.

8.2. Tablas de CEM

Véase el anexo 1

8.3. Certificaciones reglamentarias

93/42/EEC Directiva 93/42/CEE del Consejo relativa a los productos sanitarios, modificada por la Directiva 2007/47/CE, anexo 1

9. Datos técnicos

El dispositivo se suministra con 2 baterías. La **Celalux 3** y las baterías no deben desecharse con la basura doméstica normal. Por motivos medioambientales, le rogamos que deseche el dispositivo y las baterías según las directrices o normas medioambientales locales.

Características del instrumento Celalux 3

Clasificación del producto	Clase I, según la regla 12, Directiva 93/42/CEE del Consejo
Pieza aplicada	Tipo BF
Fuente de luz	Diodo emisor de luz de alta potencia
Longitud de onda	450-480 nm con máximo en 465 nm
Potencia lumínica media	1300 mW/cm ²
Funcionamiento	Uso intermitente, 10 ciclos de 20 seg. / pausa de 3 minutos
Protección contra líquidos	IP X0
Conductor óptico	Fibra óptica de D 8 mm (apta para autoclave a máx. 134 °C, máx. 20 min)
Batería	Polímero de litio, batería recargable, 3,7 V; 270 mAh
Rendimiento de la batería	> 45 ciclos de 20 seg.
Dimensiones	D 12,6 mm x L 210 mm
Peso	70 g (con batería y conductor óptico)

Base de carga

Entrada	6 VCC, < 1 A
Capacidad	carga simultánea y automática de 2 baterías con protección contra sobrecargas
Radiómetro	integrado, indicador óptico de potencia lumínica, verde/rojo - adecuado/insuficiente para tratamiento efectivo
Dimensiones	L 160 mm x An 90 mm x Al 35 mm
Peso	170 g

Alimentación de CA

Entrada	100-240 VCA, 50/60 Hz, 0,5 A
Salida	6 VCC/1 A
Clasificación	Clase II, equipo con aislamiento doble/reforzado
Enchufe	adaptador de enchufe de pared intercambiable

Generalidades

Medio ambiente	No apto para el uso en presencia de gases inflamables
Condiciones de operación	10 °C - 30 °C
Almacenamiento y transporte	-20 °C - 45 °C, 10% - 95% de humedad, 50 - 106 kPa de presión barométrica

10. Garantía

VOCO concede una garantía de 24 meses en todos los componentes de la **Celalux 3**, excepto la batería y la guía de luz. La garantía comienza en la fecha de compra.

Dentro del período de garantía, VOCO subsanará sin cargos cualquier defecto en la **Celalux 3** o sus accesorios, derivado de defectos materiales o de fabricación. VOCO se reserva el derecho de arreglar o sustituir piezas o sustituir el dispositivo completo. Esta garantía no cubre lo siguiente: Daño por uso indebido (p. ej., funcionamiento con la corriente o el voltaje incorrectos, rotura, limpieza por un método distinto de los recomendados); desgaste normal y defectos que tengan un efecto menor en el valor o el funcionamiento del dispositivo. Esta garantía queda anulada si las reparaciones son realizadas por personas no autorizadas.

Esta garantía se aplica a cualquier país donde este dispositivo sea suministrado por VOCO o por representantes autorizados de los productos de VOCO, y donde no existan restric-

ciones de importación o regulaciones legales que limiten o impidan el servicio incluido en la garantía. El servicio incluido en la garantía no afecta a la fecha de expiración de la misma. La garantía para piezas o dispositivos completos que hayan sido sustituidos expirará al mismo tiempo que la garantía de este dispositivo.

En caso de que exista una reclamación de garantía referida a este dispositivo, devuelva el dispositivo **Celalux 3** completo (base de carga, pieza manual, baterías y conductores ópticos) junto con la prueba de compra (p. ej., factura) a su representante.

Queda excluida cualquier otra reclamación, incluidas aquellas por daños derivados de esta garantía, a menos que seamos responsables por ley. Salvo en los casos prohibidos por la ley, VOCCO no será responsable por ninguna pérdida o daño que se deriven de este producto, ya sean directos, indirectos, especiales, accidentales o consecuentes, independientemente de la teoría legal alegada, incluidas las de garantía, contrato, negligencia o responsabilidad.

11. Información para pedidos

Accesorio	Número de pedido
Lámpara LED de polimerización Celalux 3	9090
Conductor óptico de 8 mm.....	9091
Batería.....	9092
Pantalla de goma (5pzas.).....	9093

12. Información sobre almacenamiento y transporte



Mantener seco Frágil, manipular con cuidado Limitación de temperatura Humedad relativa Presión

13. Explicación de los símbolos

	Cumple las disposiciones de la directiva 93/42/CEE.
	Atención: véase la documentación adjunta al producto.
	Este símbolo hace referencia a la eliminación especial de dispositivos eléctricos y electrónicos en los países de la UE. No tire este dispositivo junto con la basura doméstica. Infórmese en su centro local de reciclaje o residuos o mediante su representante, de cuál es la forma adecuada de desecharlo en su país. Procure desecharlo correctamente.
	Este símbolo indica que un producto o instrumento (aquí, los conductores ópticos y el protector ocular de la Celalux 3) puede ser esterilizado a la temperatura indicada (134 °C = 275 °F).
	¡Lea el manual de funcionamiento!
	Símbolo de advertencia: radiación LED de alta intensidad

14. Información de contacto

- Si tiene algún problema, póngase en contacto o escriba un correo electrónico a VOCCO.

Anexo 1

Explicación y declaración del fabricante – Emisiones electromagnéticas

EN 60601-1-2/Tabla 201

Equipo del grupo 1 y la clase B; según CISPR 11

La Celalux 3 está destinada al uso en el entorno electromagnético especificado a continuación. El cliente o el usuario de la Celalux 3 deben asegurarse de que esta se utiliza en un entorno como el indicado.		
Emisiones RF, CISPR 11	Grupo 1	La Celalux 3 solamente usa energía de RF para su funcionamiento interno. Como consecuencia, sus emisiones de RF son muy bajas, y no es probable que causen interferencias en los equipos electrónicos cercanos.
Emisiones de RF, CISPR 11	Clase B	La Celalux 3 es apta para su uso en cualquier establecimiento, incluidos los establecimientos domésticos y aquellos directamente conectados a la red eléctrica de suministro de bajo voltaje que suministra corriente a los edificios de carácter doméstico.
Emisiones de armónicos, CEI 61000-3-2	Conforme	
Fluctuaciones de voltaje / emisiones de parpadeo (flicker), CEI 61000-3-3		

Explicación y declaración del fabricante – Inmunidad electromagnética

EN 60601-1-2 / Tabla 202

La Celalux 3 está destinada al uso en el entorno electromagnético especificado a continuación. El cliente o el usuario de la Celalux 3 deben asegurarse de que se usa en un entorno como el indicado.			
Ensayo de inmunidad	Nivel del ensayo según CEI 60601	Conformidad	Orientación sobre el entorno electromagnético
Descarga electrostática (ESD), CEI 61000-4-2	±6 kV contacto ±8 kV aire	El dispositivo sigue funcionando con normalidad y en condiciones de seguridad.	Los suelos deben ser de madera, hormigón o baldosas cerámicas. Si los suelos están cubiertos con material sintético, la humedad relativa debe ser de al menos 30%.
RF radiada, CEI 61000-4-3	3 V/m 80 MHz a 2,5 GHz	El dispositivo sigue funcionando con normalidad y en condiciones de seguridad.	Las intensidades de campo de los transmisores fijos no pueden predecirse teóricamente con precisión. Para evaluar el entorno electromagnético debido a los transmisores de RF fijos, se debe considerar la realización de una prueba electromagnética in situ.
Transitorios eléctricos rápidos / en ráfagas, CEI 61000-4-4	±2 kV para líneas de alimentación de corriente ±1 kV para líneas de entrada/ salida	El dispositivo sigue funcionando con normalidad y en condiciones de seguridad.	La calidad del suministro eléctrico debe ser la típica de un entorno comercial u hospitalario.
Pico de tensión, CEI 61000-4-5	±1 kV modo diferencial ±2 kV modo común	El dispositivo sigue funcionando con normalidad y en condiciones de seguridad.	
Sometido a RF CEI 61000-4-6	3 Veff 150 kHz a 80 MHz	El dispositivo sigue funcionando con normalidad y en condiciones de seguridad.	Los equipos portátiles y móviles de comunicación por RF (radiofrecuencia) no deben usarse a una distancia de cualquier pieza del dispositivo, incluidos los cables, menor que la distancia de separación recomendada, calculada a partir de la ecuación aplicable a la frecuencia del transmisor. Distancia de separación recomendada: d = 1,2 √P d = 1,2 √P 80 MHz a 800 MHz d = 2,3 √P 800 MHz a 2,5 GHz
Campo magnético a frecuencia de red (50/60 Hz), CEI 61000-4-8	3-100 A/m	El dispositivo sigue funcionando con normalidad y en condiciones de seguridad.	Los campos magnéticos a frecuencia de red deberían presentar los niveles propios de una ubicación típica en un entorno comercial u hospitalario típico.
Caidas de voltaje, interrupciones cortas y variaciones de voltaje en las líneas de entrada de la alimentación de corriente, CEI 61000-4-11	< 5% U/10 ms 70% U/0,5 s 40% U/0,1 s	El dispositivo puede desviarse de los niveles exigidos de inmunidad durante un intervalo tal que el dispositivo siga siendo seguro; no se han detectado problemas de funcionamiento, y puede ser devuelto al estado previo al ensayo con la intervención del operador.	La calidad del suministro eléctrico debe ser la típica de un entorno comercial u hospitalario.

Nota:

1. (P) es la máxima potencia de salida del transmisor, en vatios (W), según el fabricante del transmisor, y (d) es la distancia de separación recomendada, en metros (m). Las intensidades de campo de los transmisores de RF fijos, que se determinarán mediante una prueba electromagnética in situ, deberían ser menores que el nivel de conformidad en cada rango de frecuencias (b). Pueden producirse interferencias cerca de equipos marcados con el siguiente símbolo:



2. Estas indicaciones pueden no ser de aplicación en todas las situaciones. La propagación electromagnética se ve afectada por la absorción y la reflexión que tienen lugar en estructuras, objetos y personas. No es posible predecir teóricamente con precisión la intensidad de los campos magnéticos de los transmisores fijos, tales como las bases de teléfonos (móviles / inalámbricos) con comunicación por radio, los radios terrestres portátiles, la emisión de radioaficionados, la emisión de radio AM y FM y la emisión de TV. Para evaluar el entorno electromagnético debido a los transmisores de RF fijos, se debe considerar la realización de una prueba electromagnética in situ. Si la intensidad de campo medida en la ubicación donde se utiliza la **Celalux 3** es superior al nivel de RF de conformidad especificado más arriba, se deberá observar la **Celalux 3** para verificar que funciona con normalidad. Si se observa un desempeño anormal, se deberán tomar medidas adicionales, tales como reorientar o reubicar la **Celalux 3**.

Distancias de separación recomendadas entre los equipos de comunicación de RF portátiles y móviles y la Celalux 3

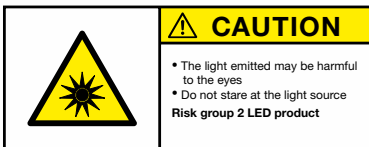
Este producto está destinado al uso en un ambiente electromagnético donde las perturbaciones de RF estén controladas. El cliente o usuario de la **Celalux 3** puede ayudar a prevenir las interferencias electromagnéticas manteniendo una distancia mínima entre la **Celalux 3** y los equipos de comunicación de RF móviles y portátiles (transmisores), tal y como se recomienda más abajo, en función de la potencia máxima de salida del equipo de comunicación.

Celalux 3

EN 60601-1-2 / Tabla 206

Distancia de separación según la frecuencia del transmisor (m)			
Potencia máxima nominal de salida del transmisor (W)	50 kHz-80 MHz $d = 1,2 \times \sqrt{P_{\text{Emisor}}}$	80 MHz-800 MHz $d = 1,2 \times \sqrt{P_{\text{Emisor}}}$	800 MHz-2.5 GHz $d = 2,3 \times \sqrt{P_{\text{Emisor}}}$
0,01	0,12	0,12	0,23
0,1	0,38	0,38	0,73
1	1,2	1,2	2,3
2	1,7	1,7	3,25
10	3,8	3,8	7,3
100	12	12	23

CE



VOCO GmbH
Anton-Flettner-Straße 1-3
27472 Cuxhaven
Germany
Tel.: +49 (0)4721-719-0
Fax: +49 (0)4721-719-140

info@voco.com
www.voco.com

EAR25533584